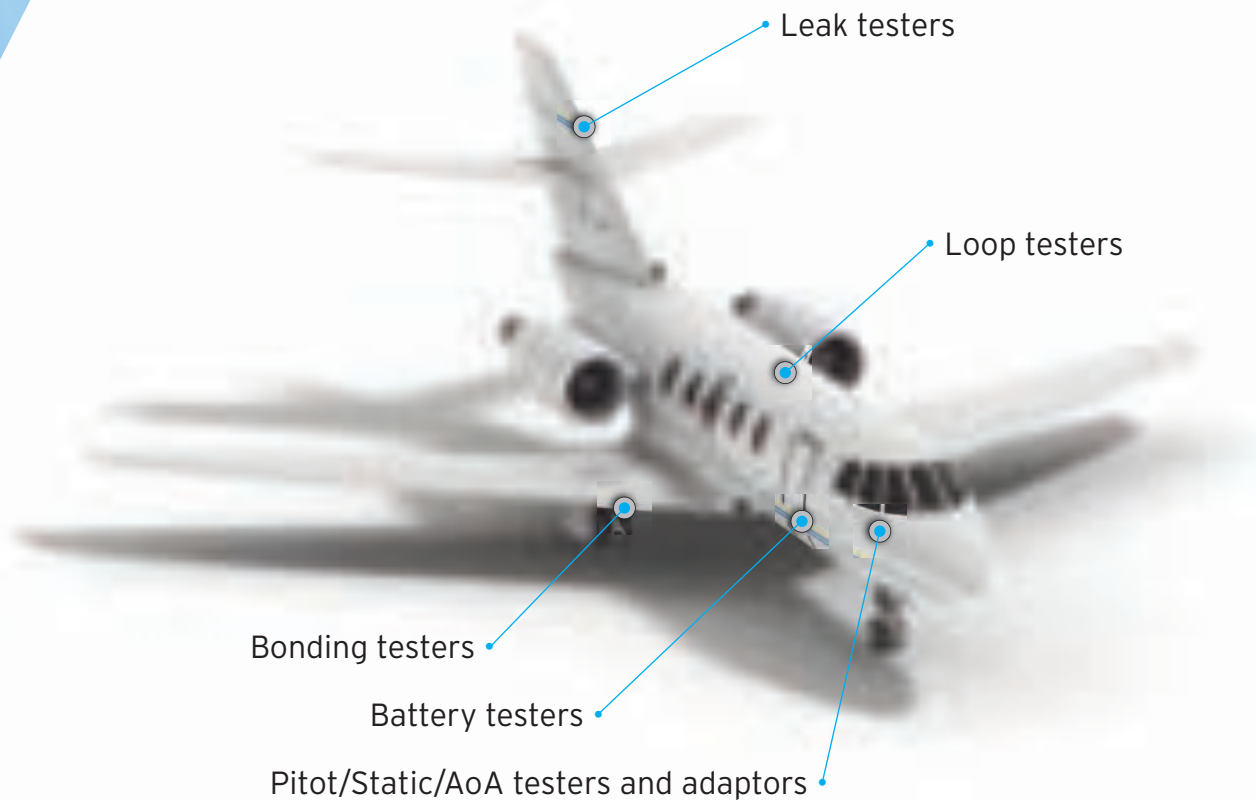


We test  
You fly

# test instruments

## ADAPTORS



ATEQ-OMICRON is a member  
of ATEQ Worldwide Group of Companies

# Ps adaptors

PZ-0103	ATR static .....	4
PZ-0107	A318-340 static .....	5
PZ-0108	A18-321 dual static .....	6
PZ-0124	A340-500 static .....	7
PZ-0125	A300-310 dual static .....	8
PZ-0138	T 3 large static port .....	9
PZ-0141	New TRANSALL static left .....	10
PZ-0142	New TRANSALL static right .....	11
PZ-0146	T 3 cups small static port .....	12
PZ-0161	Single through static 20-22mm .....	13
PZ-0183	Triangle vac static .....	14
PZ-0185	Quad vac 2 Ps Boeing .....	15
PZ-0201	2 vac cups single Ps .....	16
PZ-0202	1 vac cup 2 Ps .....	17
PZ-0204	Bell roof plug .....	18
PZ-0217	2 vac cups 2 Ps .....	19
PZ-0222	2 vac cups 3 Ps .....	20
PZ-0223	2 vac cups 1 large Ps .....	21
PZ-0224	T 3 vac cups large static port .....	22
PZ-0227	Falcon2000 2 vac cups 8 shape Ps ..	23
PZ-0229	A380 STDBY .....	24
PZ-0230	A380 LEFT ISP .....	25
PZ-0231	A380 RIGHT ISP .....	26
PZ-0232	3 Closed Ps 2vac cups .....	27
PZ-0233	Fennec quad static .....	28
PZ-0236	Single through static 23mm .....	29

## Pt adaptors

PZ-0131	NH90 2Ps 1Pt .....	30
PZ-0145	Single Pt 9-11 .....	31
PZ-0148	Single Pt 12-14 .....	32
PZ-0150	NH90 3Ps 1Pt .....	33
PZ-0151	Single Pt 11-13 .....	34
PZ-0152	Single Pt 14-16 .....	35
PZ-0153	Single Pt 13-15 .....	36
PZ-0154	Single short Pt 16-18 .....	37
PZ-0155	Single Pt 17-19 .....	38
PZ-0156	Single Pt 18-20mm .....	39
PZ-0160	Single Pt 20-22mm .....	40
PZ-0176	Smart probe 26mm .....	41
PZ-0184	Single Pt 10-12mm .....	42
PZ-0199	Learjet 2 Ps 1 Pt .....	43
PZ-0200	Phenom300 smart probe .....	44
PZ-0203	Phenom300 STDBY probe .....	45
PZ-0216	Piper squale wing probe .....	46
PZ-0218	Legacy500 smart probe .....	47
PZ-0225	Bell roof Ps Pt probe .....	48
PZ-0226	A380 single Pt 14-16mm .....	49
PZ-0235	Single Pt 23 .....	50

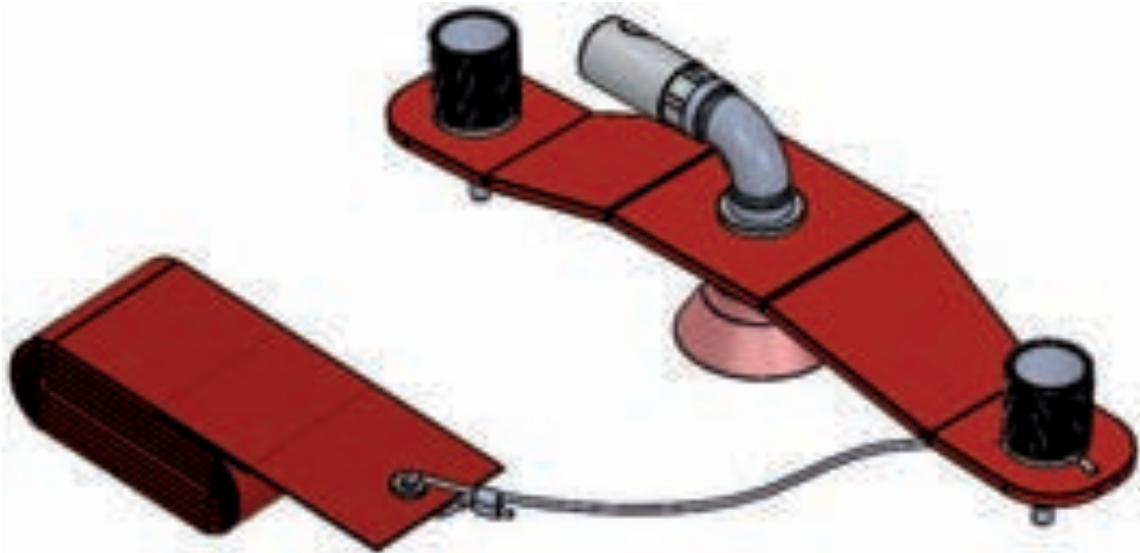
## Accessories adaptors

MB-0191	Tarmac adaptor box .....	51
MZ-0166-0207	Pincas drains .....	52
MZ-0211	Safety vac clamp 46mm .....	53
MZ-0212	Safety vac clamp 122mm .....	53
MZ	Drain Eurocopter .....	54
P6	Hoses .....	55
PZ-0159	Static vac generator box .....	56
PZ-0219	4 smart probes manifold .....	57

# PZ-0103 ATR STATIC

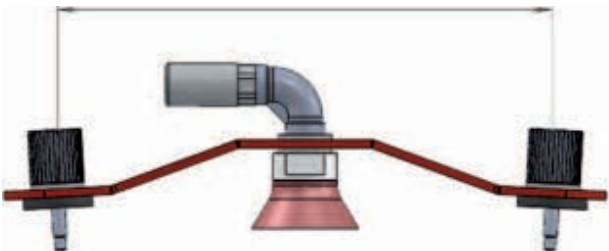
## ATR STATIC PORT ADAPTATOR

This adaptor is ideally designed for ATR airplanes static ports.



### ADJUSTMENT SIZES

max 198 - min 188



### PS CONNECTOR OPTION

<b>STBK</b>	STAUBLI/TST RBE 03	with • BLACK CODE
<b>AN4M</b>	AN4 male (JIC 37-74 ANGLE)	with O-Ring
<b>AN6M</b>	AN6 male (JIC 37-74 ANGLE)	with O-Ring

### HOW TO ORDER

PZ-0103-A- **DCUP** - **STBK**

PS PORT CONNECTOR SIZE  
PS PORT SEAL SIZE

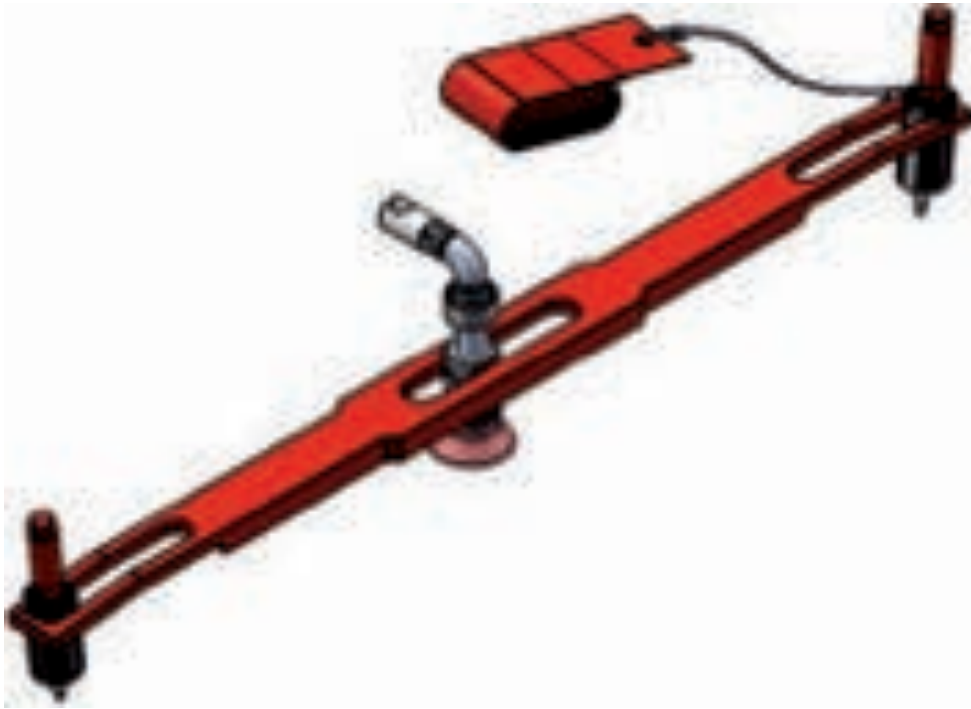
**PZ-0107-A-REPLACEMENT CUP SEAL** contains :

- 2x 40mm outside diameter cup seals

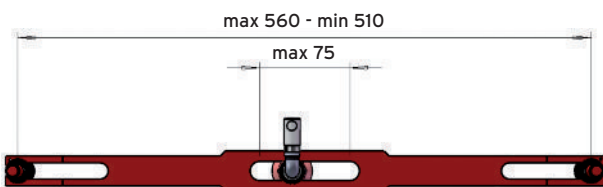
# PZ-0107 A318-340 STATIC

## AIRBUS A318 TO A340 PS PORT - DUAL SCREW

This adaptor is ideally designed for AIRBUS A319/A32X single static port side.



### ADJUSTMENT SIZES



### PS CONNECTOR OPTION

<b>STBK</b>	STAUBLI/TST RBE 03	with • BLACK CODE
<b>AN4M</b>	AN4 male (JIC 37-74 ANGLE)	with O-Ring
<b>AN6M</b>	AN6 male (JIC 37-74 ANGLE)	with O-Ring

### HOW TO ORDER

PZ-0107-A- **DCUP** - **STBK**

PS PORT CONNECTOR SIZE  
PS PORT SEAL SIZE

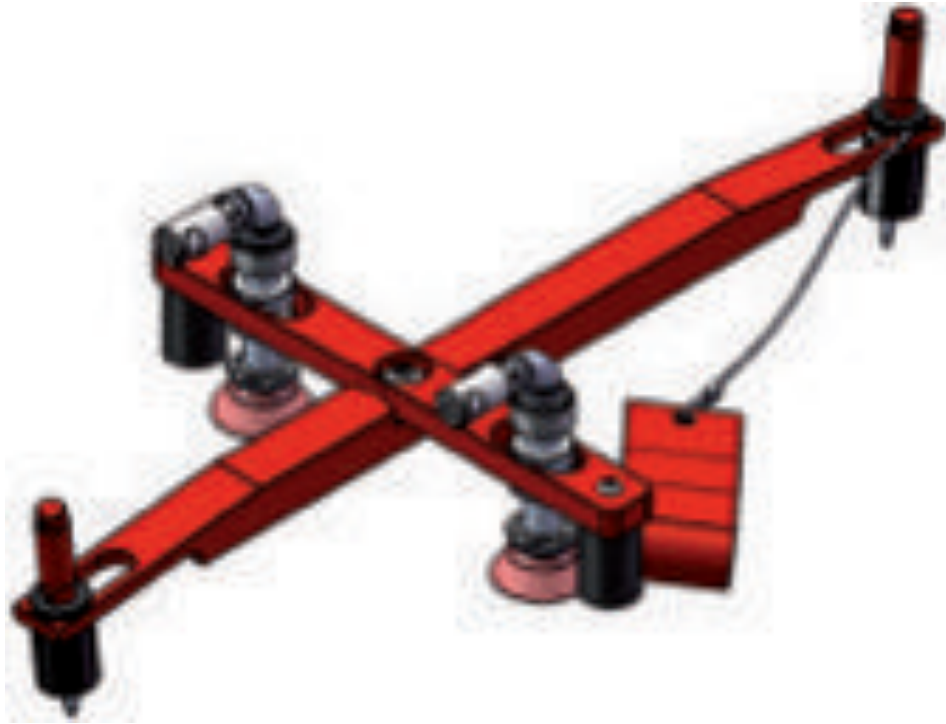
**PZ-0107-A-REPLACEMENT CUP SEAL** contains :

- 2x 40mm outside diameter cup seals

# PZ-0108 A318-321 DUAL STATIC

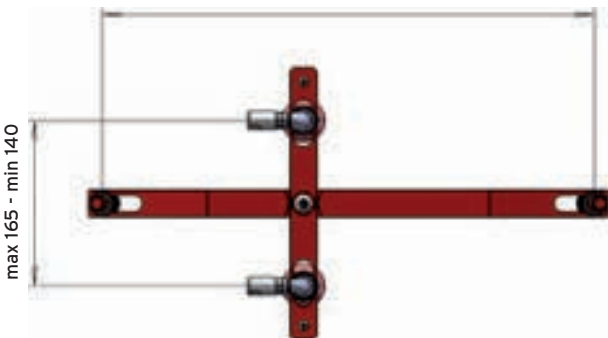
## AIRBUS A318-A321 DUAL PS PORT - DUAL SCREW MOUNT-ADAPTOR

This adaptor is ideally designed for AIRBUS A319/A32X dual separated static ports side.



### ADJUSTMENT SIZES

max 460 - min 410



### PS CONNECTOR OPTION

<b>STBK</b>	STAUBLI/TST RBE 03	with • BLACK CODE
<b>AN4M</b>	AN4 male (JIC 37-74 ANGLE)	with O-Ring
<b>AN6M</b>	AN6 male (JIC 37-74 ANGLE)	with O-Ring

### HOW TO ORDER

PZ-0108-A- **DCUP** - **STBK**

PS PORT CONNECTOR SIZE  
PS PORT SEAL SIZE

**PZ-0107-A-REPLACEMENT CUP SEAL** contains :

- 2x 40mm outside diameter cup seals

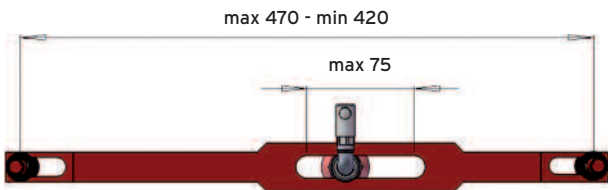
# PZ-0124 A340-500 STATIC

## AIRBUS A340-500 PS PORT - DUAL SCREW MOUNT-ADAPTOR

This adaptor is ideally designed for AIRBUS A340-500 single static port side.



### ADJUSTMENT SIZES



### PS CONNECTOR OPTION

<b>STBK</b>	STAUBLI/TST RBE 03	with • BLACK CODE
<b>AN4M</b>	AN4 male (JIC 37-74 ANGLE)	with O-Ring
<b>AN6M</b>	AN6 male (JIC 37-74 ANGLE)	with O-Ring

### HOW TO ORDER

PZ-0124-A- **DCUP** - **STBK**

PS PORT CONNECTOR SIZE  
PS PORT SEAL SIZE

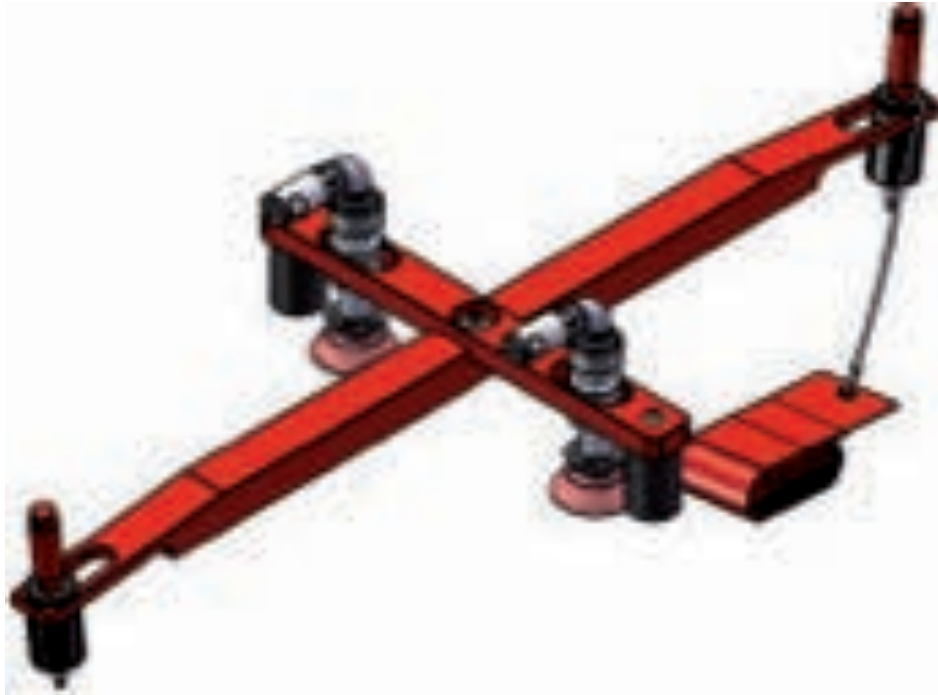
**PZ-0107-A-REPLACEMENT CUP SEAL** contains :

- 2x 40mm outside diameter cup seals

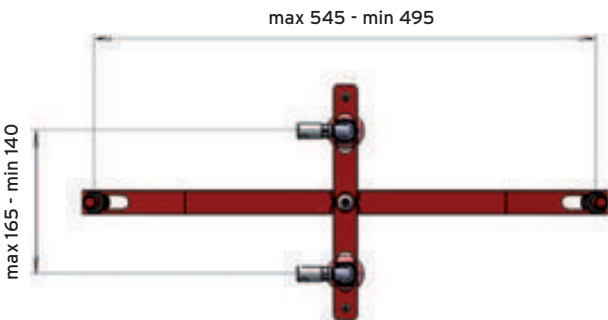
# PZ-0125 A300-310 DUAL STATIC

## AIRBUS A300-A310 DUAL PS PORT - DUAL SCREW MOUNT-ADAPTOR

This adaptor is ideally designed for AIRBUS A300/A310 dual separated static ports side.



### ADJUSTMENT SIZES



### PS CONNECTOR OPTION

<b>STBK</b>	STAUBLI/TST RBE 03	with • BLACK CODE
<b>AN4M</b>	AN4 male (JIC 37-74 ANGLE)	with O-Ring
<b>AN6M</b>	AN6 male (JIC 37-74 ANGLE)	with O-Ring

### HOW TO ORDER

PZ-0125-A- **DCUP** - **STBK**

PS PORT CONNECTOR SIZE  
PS PORT SEAL SIZE

**PZ-0107-A-REPLACEMENT CUP SEAL** contains :

- 2x 40mm outside diameter cup seals



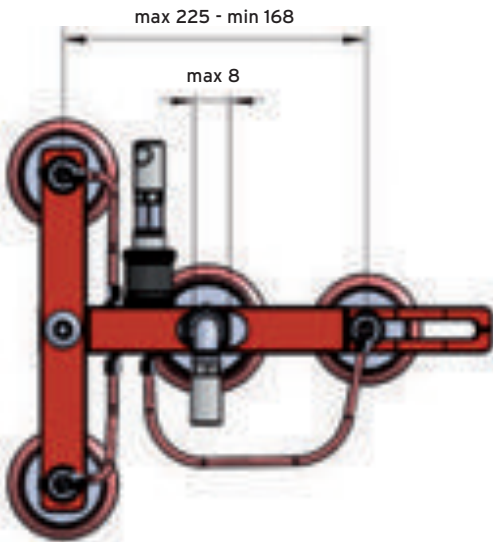
# PZ-0138 T 3 CUPS LARGE STATIC PORT

## SINGLE LARGE PS PORT - TRIPLE SUCCION CUPS STATIC PORT ADAPTOR

This adaptor is ideally designed for small triple static ports configuration, when it is not possible to fit three independant adaptors.



### ADJUSTMENT SIZES



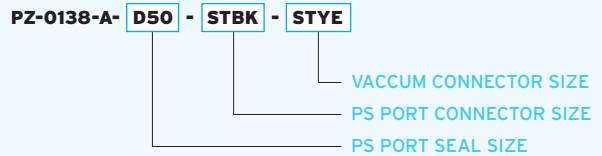
### PS CONNECTOR OPTION

<b>STBK</b>	STAUBLI/TST RBE 03	with • BLACK CODE
<b>STRD</b>	STAUBLI/TST RBE 03	with • RED CODE
<b>AN4M</b>	AN4 male (JIC 37-74 ANGLE)	with O-Ring
<b>AN6M</b>	AN6 male (JIC 37-74 ANGLE)	with O-Ring

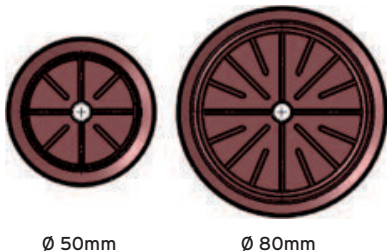
### VACCUM CONNECTOR OPTION

<b>STYE</b>	STAUBLI/TST RBE 03	with • YELLOW CODE
<b>AN5M</b>	AN5 male (JIC 37-74 ANGLE)	with O-RING

### HOW TO ORDER



### PS PORT OPTIONS



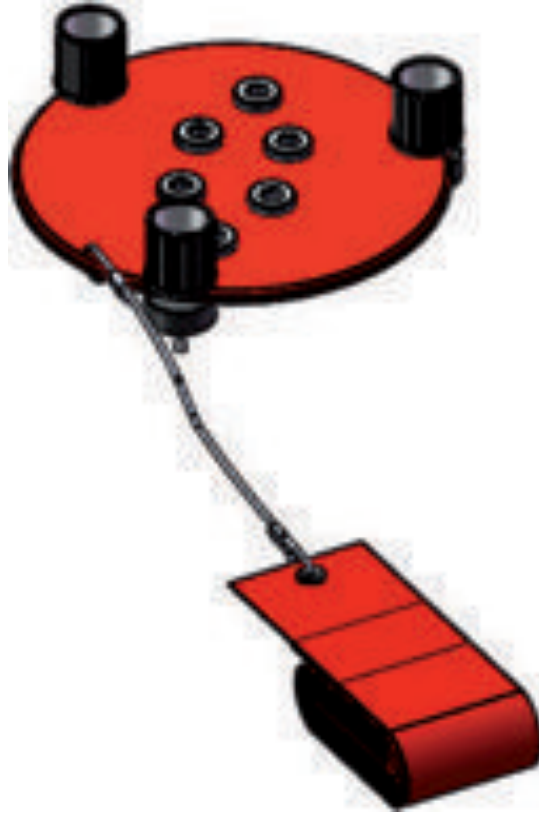
### PZ-0224-A-SEAL KIT contains :

- 2x 50mm seals
- 2x 80mm seals
- 2x Succion cups
- 1x Seal plastic insertion tool

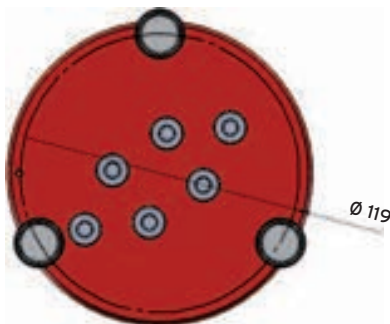
# PZ-0141 NEW TRANSALL STATIC LEFT

## TRANSALL LEFT SIDE - MULTIPLE STATIC PORT ADAPTOR

This adaptor is ideally designed for the TRANSALL left side multiple static ports.



### ADJUSTMENT SIZES



### PS CONNECTOR OPTION

<b>PLUG</b>	Every hole closed (normal configuration with the calibrator connected on the right side)	
<b>STBK</b>	STAUBLI/TST RBE 03	with • BLACK CODE
<b>AN4M</b>	AN4 male (JIC 37-74 ANGLE)	with O-Ring
<b>AN6M</b>	AN6 male (JIC 37-74 ANGLE)	with O-Ring

### HOW TO ORDER

**PZ-0141-A- PLUG**

PS PORT CONNECTOR SIZE

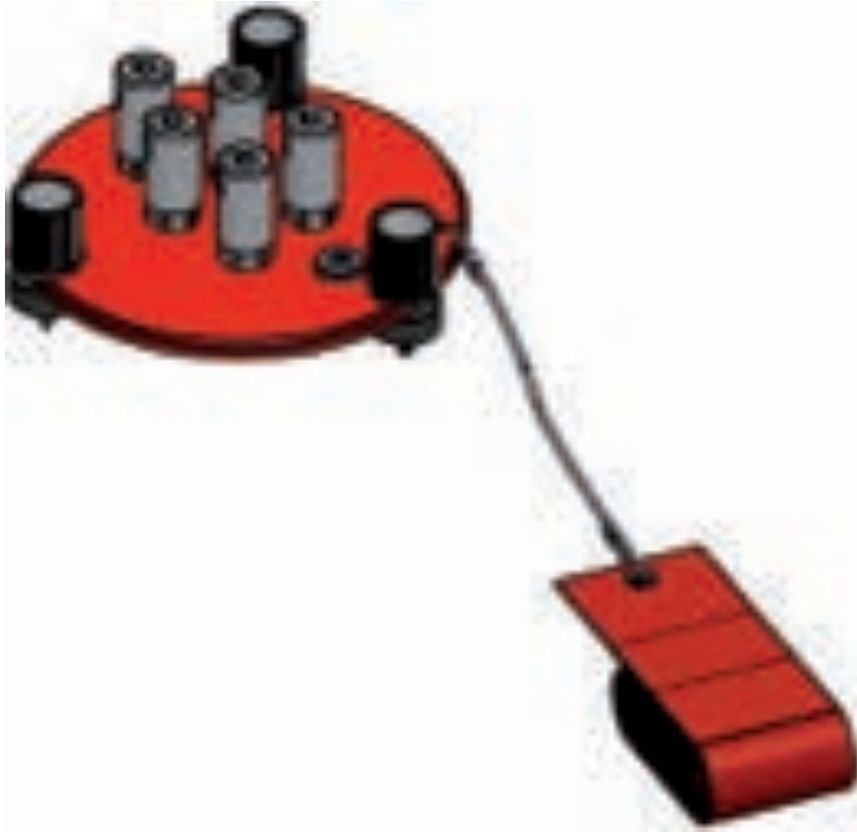
**PZ-0141/2-A-SEAL REPLACEMENT KIT** contains :

- 6x 14mm seals

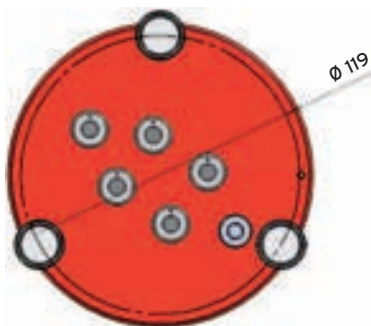
# PZ-0142 NEW TRANSALL STATIC RIGHT

## TRANSALL RIGHT SIDE - MULTIPLE STATIC PORT ADAPTOR

This adaptor is ideally designed for the multiple ports on the TRANSALL airplane right side.



### ADJUSTMENT SIZES



### PS CONNECTOR OPTION

<b>STBK</b>	STAUBLI/TST RBE 03	with • BLACK CODE
<b>AN4M</b>	AN4 male (JIC 37-74 ANGLE)	with O-Ring
<b>AN6M</b>	AN6 male (JIC 37-74 ANGLE)	with O-Ring

### HOW TO ORDER

**PZ-0142-A-** **STBK**

PS PORT CONNECTOR SIZE

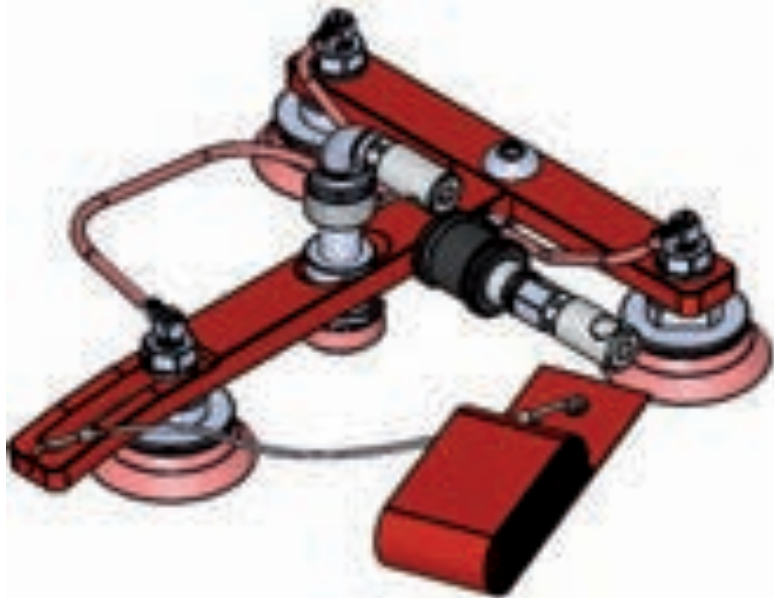
**PZ-0141/2-A-SEAL REPLACEMENT KIT** contains:

- 6x 14mm seals

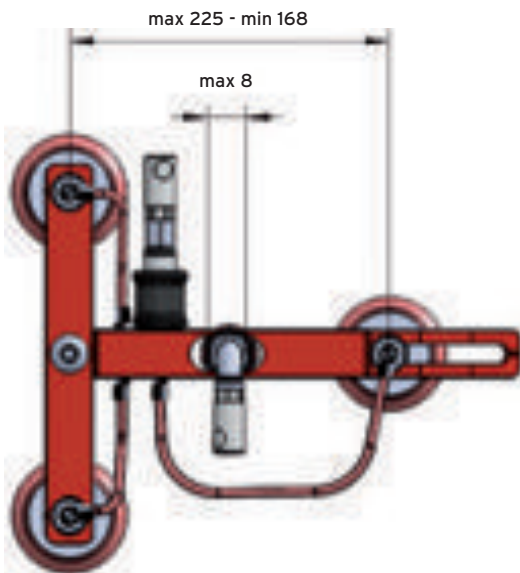
# PZ-0146 T 3 CUPS SMALL STATIC PORT

## SINGLE PS PORT - TRIPLE SUCCION CUP - STATIC PORT ADAPTOR

This adaptor is ideally designed for single static ports configuration.



### ADJUSTMENT SIZES



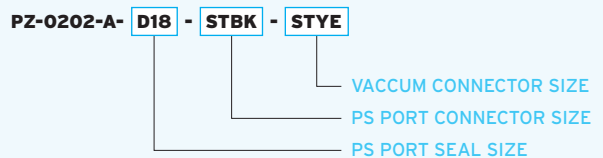
### PS CONNECTOR OPTION

<b>STBK</b>	STAUBLI/TST RBE 03	with • BLACK CODE
<b>AN4M</b>	AN4 male (JIC 37-74 ANGLE)	with O-Ring
<b>AN6M</b>	AN6 male (JIC 37-74 ANGLE)	with O-Ring

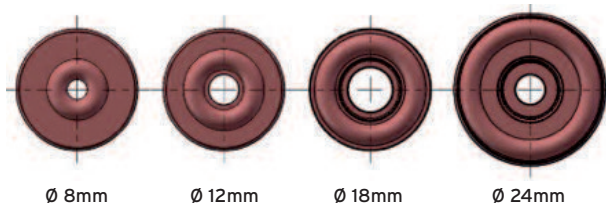
### VACCUM CONNECTOR OPTION

<b>STYE</b>	STAUBLI/TST RBE 03	with • YELLOW CODE
<b>AN5M</b>	AN5 male (JIC 37-74 ANGLE)	with O-RING

### HOW TO ORDER



### PS PORT OPTIONS



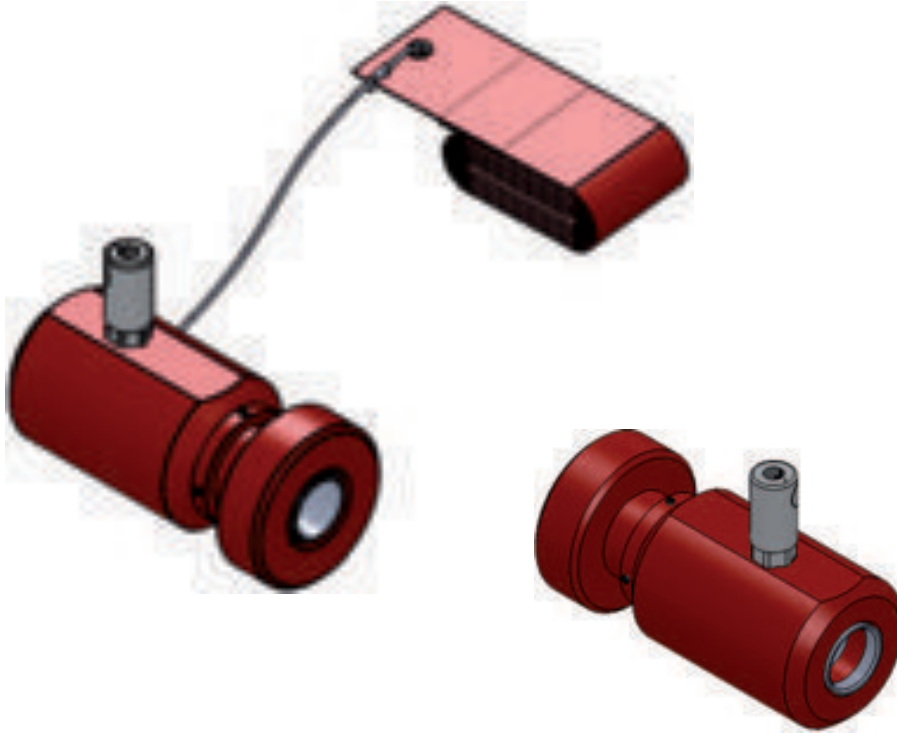
### PZ-0221-A-SEAL KIT contains :

- 2x 8mm seals
- 2x 12mm seals
- 2x 18mm seals
- 2x 24mm seals
- 2x Succion cups
- 1x Seal plastic insertion tool

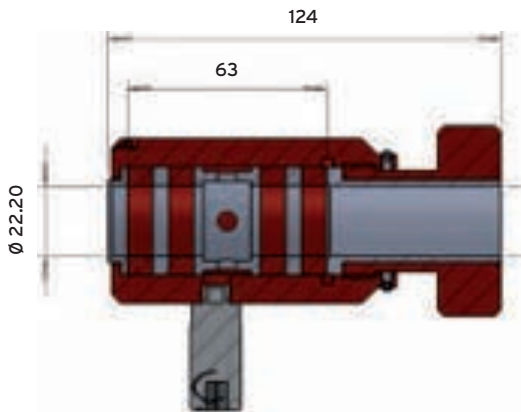
# PZ-0161 SINGLE THROUGH STATIC 20-22MM

## SINGLE 20-22MM THROUGH HOLE STATIC PORT ADAPTOR

This adaptor is ideally designed for PITOT tube through hole static ports configuration when the position of the static holes prohibits a combined adaptor.



### ADJUSTMENT SIZES



### PS CONNECTOR OPTION

<b>STBK</b>	STAUBLI/TST RBE 03	with • BLACK CODE
<b>AN4M</b>	AN4 male (JIC 37-74 ANGLE)	with O-Ring
<b>AN6M</b>	AN6 male (JIC 37-74 ANGLE)	with O-Ring

### HOW TO ORDER

**PZ-0161-A-** **STBK**

PS PORT CONNECTOR SIZE

**PZ-0161-A-SEAL REPLACEMENT KIT** contains :

- 2x 22mm inside diameter seals

### THIS ADAPTER CAN ALSO BE MANUFACTURED

in **14-16mm, 16-18mm, 18-20mm, 22-24mm** and **24-26mm**

PLEASE DO NOT HESITATE TO CONTACT US.

# PZ-0183 TRIANGLE VAC STATIC

## SINGLE PS PORT - TRIPLE SUCCION CUPS - STATIC PORT ADAPTOR

This adaptor is ideally designed for small (low curvature) surface access static port configuration, when it is not possible to fit larger size adaptors.



### ADJUSTMENT SIZES



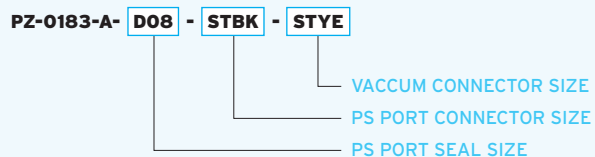
### PS CONNECTOR OPTION

<b>STBK</b>	STAUBLI/TST RBE 03	with • BLACK CODE
<b>STRD</b>	STAUBLI/TST RBE 03	with • RED CODE
<b>AN4M</b>	AN4 male (JIC 37-74 ANGLE)	with O-Ring
<b>AN6M</b>	AN6 male (JIC 37-74 ANGLE)	with O-Ring

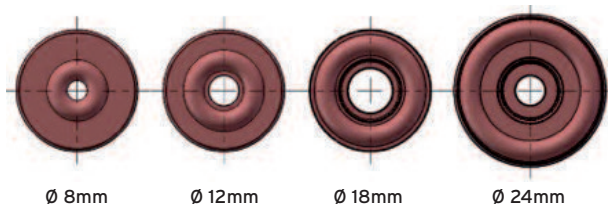
### VACCUM CONNECTOR OPTION

<b>STYE</b>	STAUBLI/TST RBE 03	with • YELLOW CODE
<b>AN5M</b>	AN5 male (JIC 37-74 ANGLE)	with O-RING

### HOW TO ORDER



### PS PORT OPTIONS



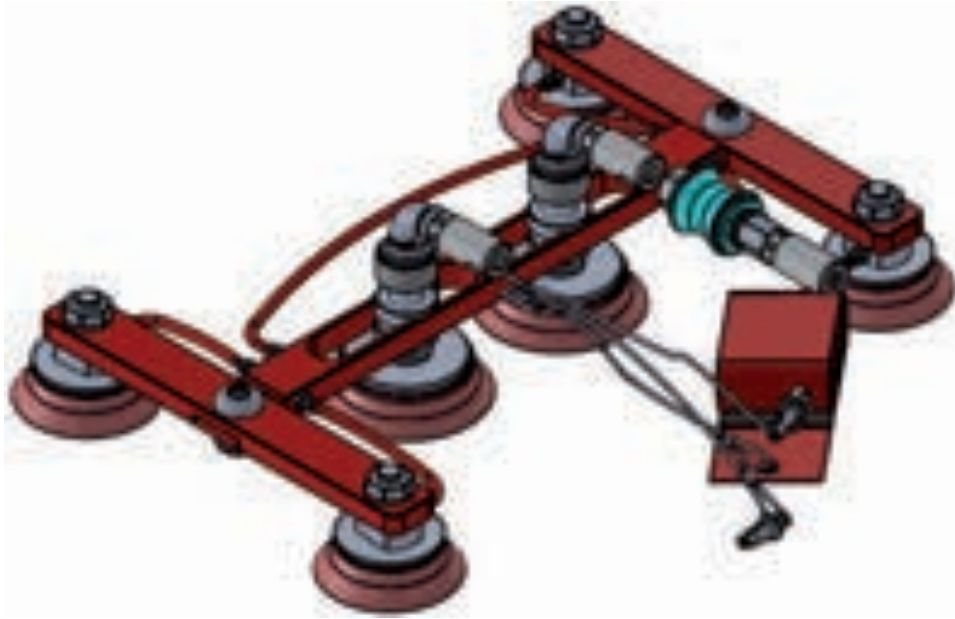
### PZ-0221-A-SEAL KIT contains :

- 2x 8mm seals
- 2x 12mm seals
- 2x 18mm seals
- 2x 24mm seals
- 2x Suction cups
- 1x Seal plastic insertion tool

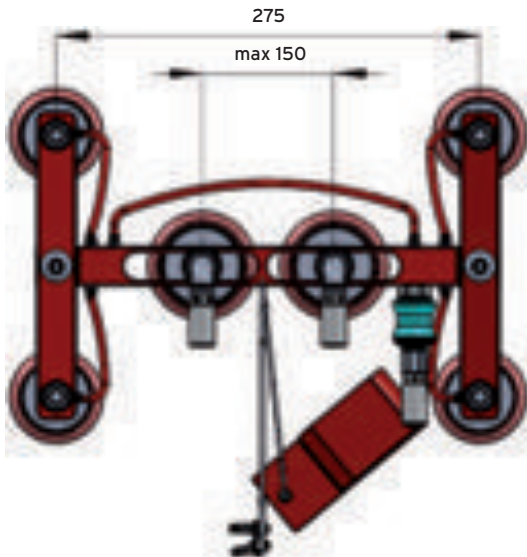
# PZ-0185 QUAD VAC 2 PS BOEING

## DUAL LARGE PS PORT - QUAD SUCCION CUPS - STATIC PORT ADAPTOR

This adaptor is ideally designed for BOEING 737 large double static ports configuration, when it is not possible to fit two independent adaptors.



### ADJUSTMENT SIZES



### PS CONNECTOR OPTION

<b>STBK</b>	STAUBLI/TST RBE 03	with • BLACK CODE
<b>AN4M</b>	AN4 male (JIC 37-74 ANGLE)	with O-Ring
<b>AN6M</b>	AN6 male (JIC 37-74 ANGLE)	with O-Ring

### VACCUM CONNECTOR OPTION

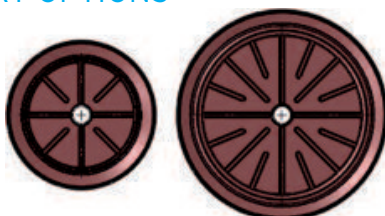
<b>STYE</b>	STAUBLI/TST RBE 03	with • YELLOW CODE
<b>AN5M</b>	AN5 male (JIC 37-74 ANGLE)	with O-RING

### HOW TO ORDER

PZ-0185-A- **D50** - **STBK** - **STYE**

— VACCUM CONNECTOR SIZE  
 — PS PORT CONNECTOR SIZE  
 — PS PORT SEAL SIZE

### PS PORT OPTIONS



Ø 50mm

Ø 80mm

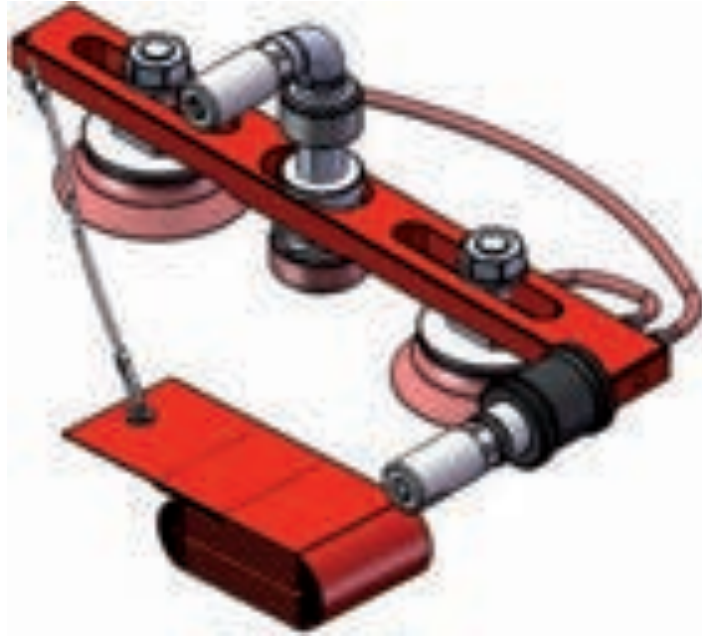
### PZ-0224-A-SEAL KIT contains :

- 2x 50mm seals
- 2x 80mm seals
- 2x Succion cups
- 1x Seal plastic insertion tool

# PZ-0201 2 VAC CUPS SINGLE PS

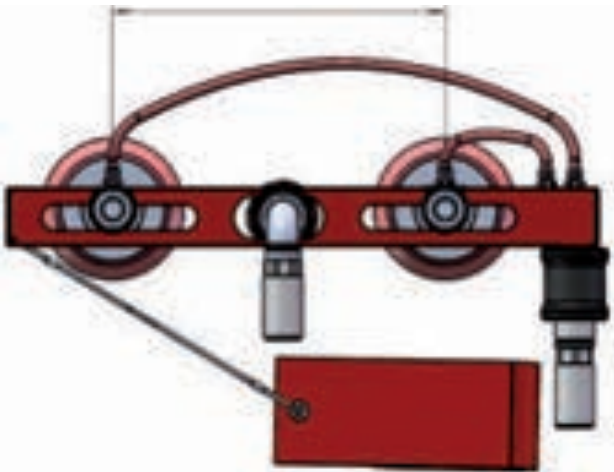
## SINGLE PS PORT - DUAL SUCCION CUPS - STATIC PORT ADAPTOR

This adaptor is ideally designed for single static port configuration.  
We have designed many special static port seals, please contact us.



### ADJUSTMENT SIZES

max 180 - min 100



### PS CONNECTOR OPTION

<b>STBK</b>	STAUBLI/TST RBE 03	with • BLACK CODE
<b>STRD</b>	STAUBLI/TST RBE 03	with • RED CODE
<b>AN4M</b>	AN4 male (JIC 37-74 ANGLE)	with O-Ring
<b>AN6M</b>	AN6 male (JIC 37-74 ANGLE)	with O-Ring

### VACCUM CONNECTOR OPTION

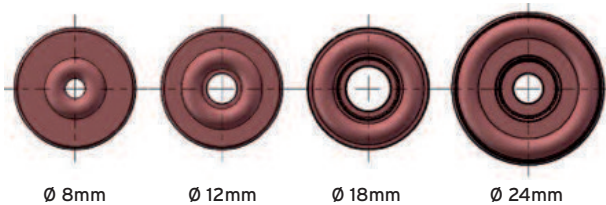
<b>STYE</b>	STAUBLI/TST RBE 03	with • YELLOW CODE
<b>AN5M</b>	AN5 male (JIC 37-74 ANGLE)	with O-RING

### HOW TO ORDER

PZ-0201-A- **DO8** - **STBK** - **STYE**

DO8 - VACCUM CONNECTOR SIZE  
STBK - PS PORT CONNECTOR SIZE  
STYE - PS PORT SEAL SIZE

### PS PORT OPTIONS



### PZ-0221-A-SEAL KIT contains :

- 2x 8mm seals
- 2x 12mm seals
- 2x 18mm seals
- 2x 24mm seals
- 2x Succion cups
- 1x Seal plastic insertion tool



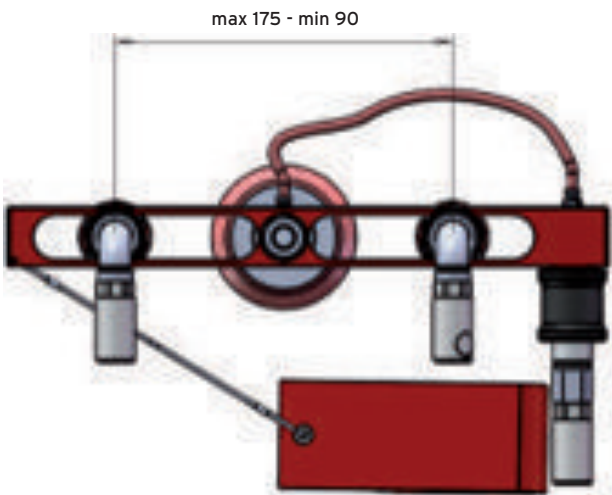
# PZ-0202 1 VAC CUP 2 PS

## DUAL PS PORTS - SINGLE SUCCION CUP - STATIC PORT ADAPTOR

This adaptor is ideally designed for single or dual separated static ports configuration, when it is not possible to fit multiple suction cups adaptors.



### ADJUSTMENT SIZES



### PS CONNECTOR OPTION

<b>STBK</b>	STAUBLI/TST RBE 03	with • BLACK CODE
<b>STRD</b>	STAUBLI/TST RBE 03	with • RED CODE
<b>AN4M</b>	AN4 male (JIC 37-74 ANGLE)	with O-Ring
<b>AN6M</b>	AN6 male (JIC 37-74 ANGLE)	with O-Ring

### VACCUM CONNECTOR OPTION

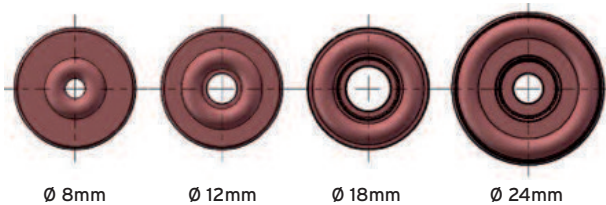
<b>STYE</b>	STAUBLI/TST RBE 03	with • YELLOW CODE
<b>AN5M</b>	AN5 male (JIC 37-74 ANGLE)	with O-RING

### HOW TO ORDER

PZ-0202-A- **DOB** - **STBK** - **STYE**

— VACCUM CONNECTOR SIZE  
 — PS PORT CONNECTOR SIZE  
 — PS PORT SEAL SIZE

### PS PORT OPTIONS



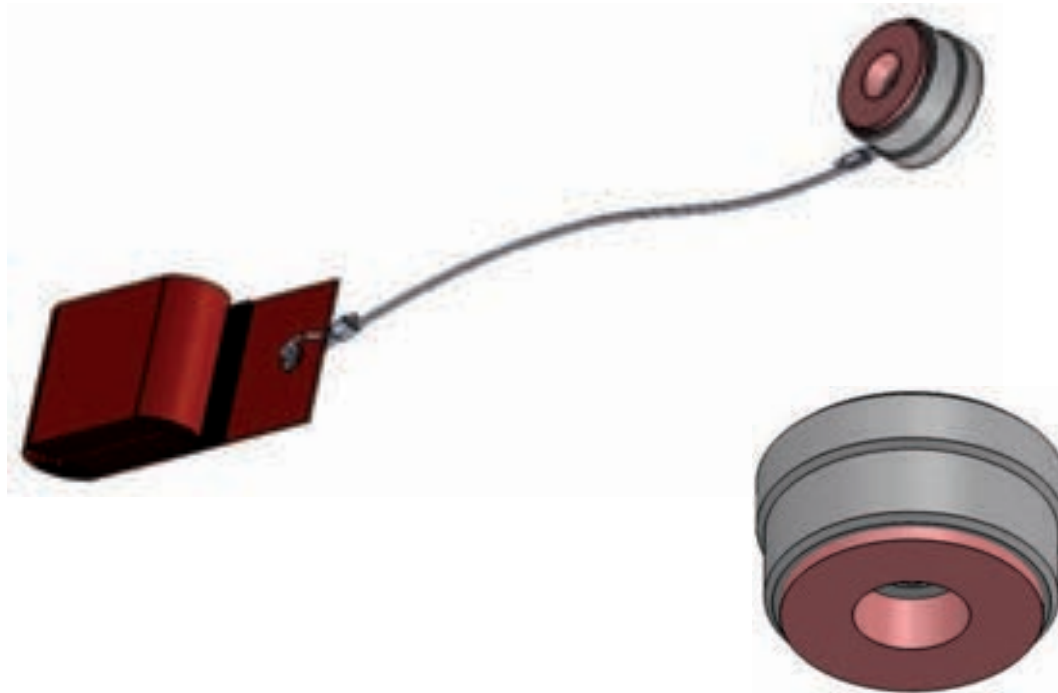
### PZ-0221-A-SEAL KIT contains :

- 2x 8mm seals
- 2x 12mm seals
- 2x 18mm seals
- 2x 24mm seals
- 2x Suction cups
- 1x Seal plastic insertion tool

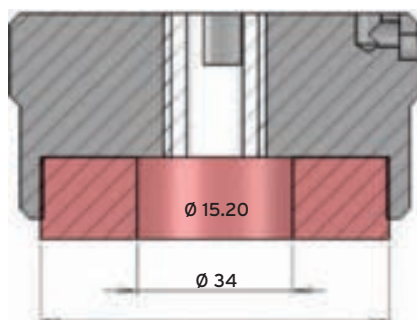
# PZ-0204 BELL ROOF PLUG

## BELL HELICOPTER - ROOF - STATIC PORT ADAPTOR

This adaptor is ideally designed for BELL helicopter roof static port connection.



### ADJUSTMENT SIZES



### HOW TO ORDER

**PZ-0204-A**

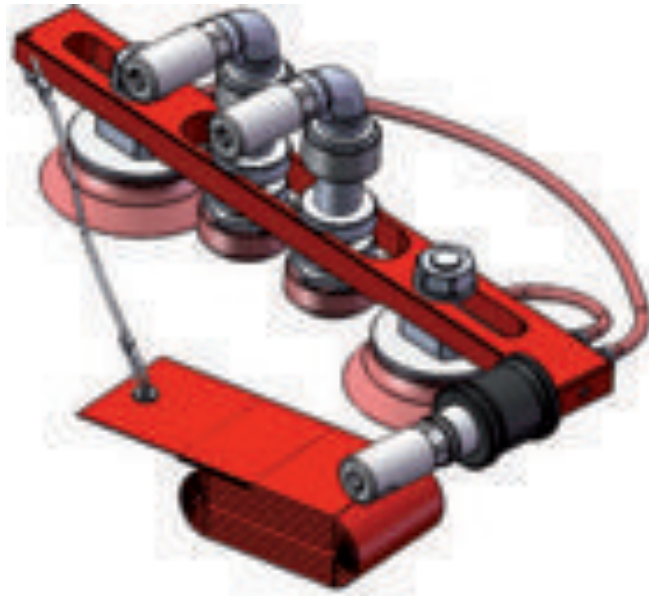
**PZ-0204-A-REPLACEMENT SEAL KIT** contains :

- 1x 15mm inside diameter seal

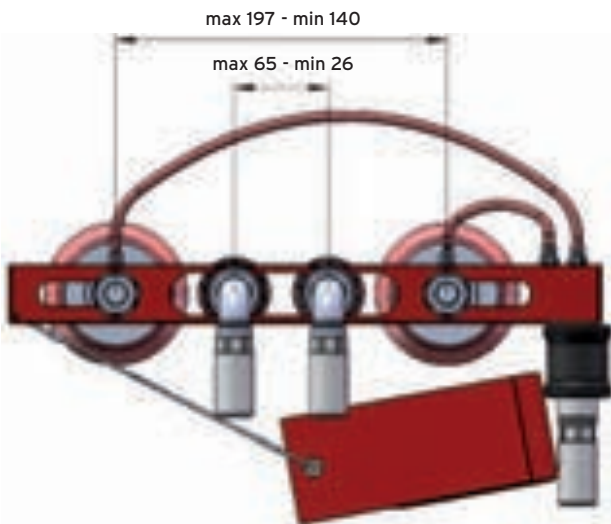
# PZ-0217 2 VAC CUPS 2 PS

## DUAL PS PORTS - DUAL SUCCION CUPS - STATIC PORT ADAPTATOR

This adaptor is ideally designed for small dual static ports configuration, when it is not possible to fit two independant adaptors.



### ADJUSTMENT SIZES



### PS CONNECTOR OPTION

<b>STBK</b>	STAUBLI/TST RBE 03	with • BLACK CODE
<b>AN4M</b>	AN4 male (JIC 37-74 ANGLE)	with O-Ring
<b>AN6M</b>	AN6 male (JIC 37-74 ANGLE)	with O-Ring

### VACCUM CONNECTOR OPTION

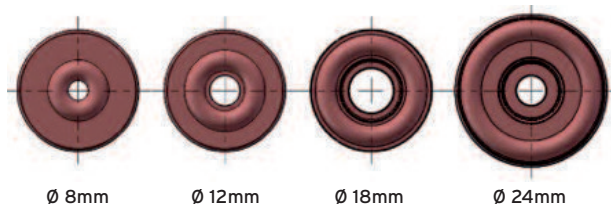
<b>STYE</b>	STAUBLI/TST RBE 03	with • YELLOW CODE
<b>AN5M</b>	AN5 male (JIC 37-74 ANGLE)	with O-RING

### HOW TO ORDER

PZ-0217-A- **DO8** - **STBK** - **STYE**

VACCUM CONNECTOR SIZE  
PS PORT CONNECTOR SIZE  
PS PORT SEAL SIZE

### PS PORT OPTIONS



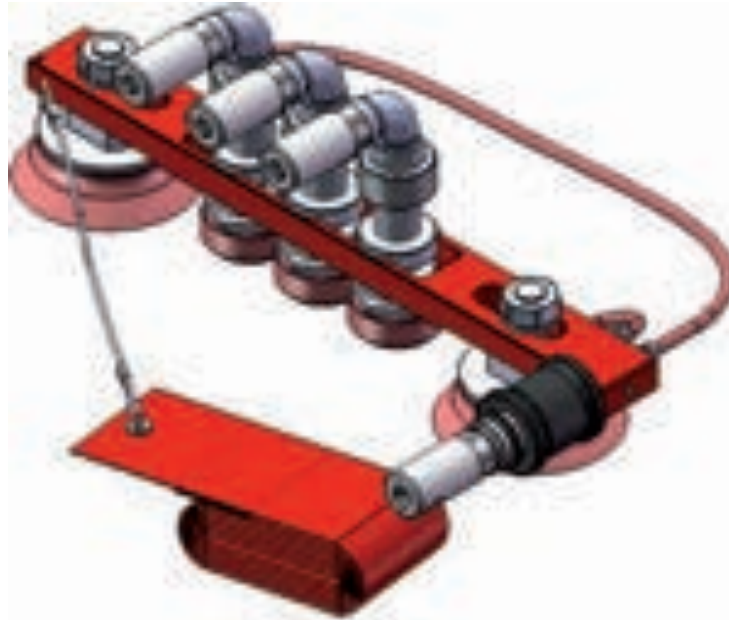
### PZ-0221-A-SEAL KIT contains :

- 2x 8mm seals
- 2x 12mm seals
- 2x 18mm seals
- 2x 24mm seals
- 2x Succion cups
- 1x Seal plastic insertion tool

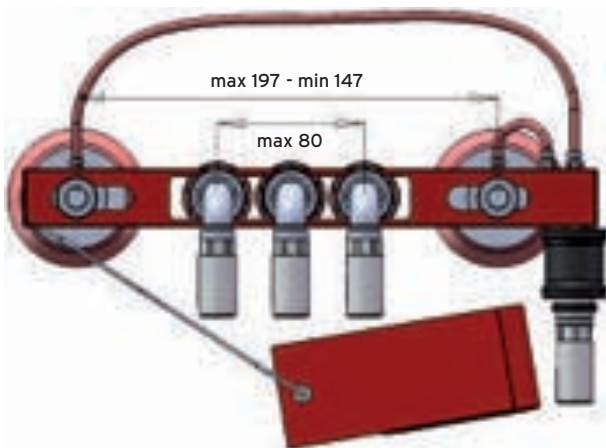
# PZ-0222 2 VAC CUPS 3 PS

## TRIPLE PS PORTS - DUAL SUCCION CUPS - STATIC PORT ADAPTOR

This adaptor is ideally designed for small triple static ports configuration, when it is not possible to fit three independant adaptors.



### ADJUSTMENT SIZES



### PS CONNECTOR OPTION

<b>STBK</b>	STAUBLI/TST RBE 03	with • BLACK CODE
<b>AN4M</b>	AN4 male (JIC 37-74 ANGLE)	with O-Ring
<b>AN6M</b>	AN6 male (JIC 37-74 ANGLE)	with O-Ring

### VACCUM CONNECTOR OPTION

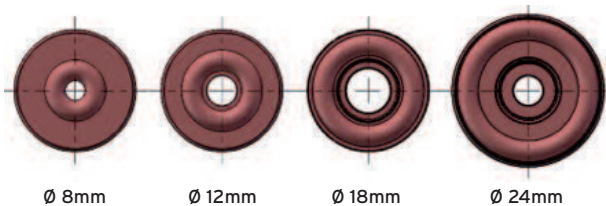
<b>STYE</b>	STAUBLI/TST RBE 03	with • YELLOW CODE
<b>AN5M</b>	AN5 male (JIC 37-74 ANGLE)	with O-RING

### HOW TO ORDER

**PZ-0222-A- D08 - STBK - STYE**

— VACCUM CONNECTOR SIZE  
 — PS PORT CONNECTOR SIZE  
 — PS PORT SEAL SIZE

### PS PORT OPTIONS



### PZ-0221-A-SEAL KIT contains :

- 2x 8mm seals
- 2x 12mm seals
- 2x 18mm seals
- 2x 24mm seals
- 2x Succion cups
- 1x Seal plastic insertion tool

# PZ-0223 2 VAC CUPS 1 LARGE PS

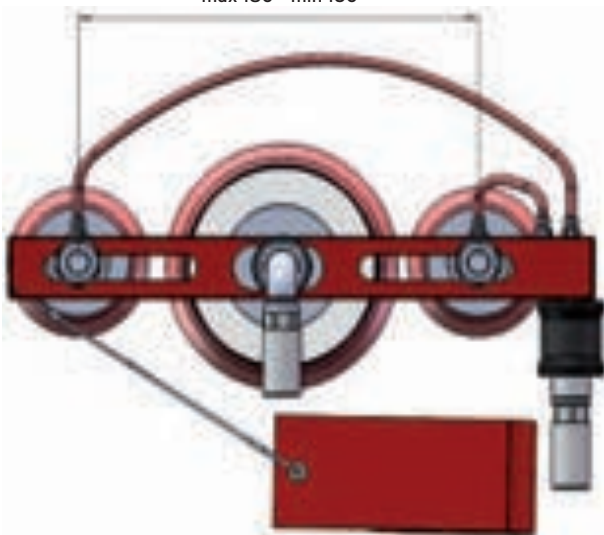
## SINGLE LARGE PS PORT - DUAL SUCCION CUPS STATIC PORT ADAPTOR

This adaptor is ideally designed for small triple static ports configuration, when it is not possible to fit three independent adaptors.

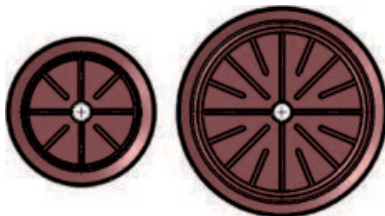


### ADJUSTMENT SIZES

max 180 - min 160



### PS PORT OPTIONS



Ø 50mm

Ø 80mm

### PS CONNECTOR OPTION

<b>STBK</b>	STAUBLI/TST RBE 03	with • BLACK CODE
<b>AN4M</b>	AN4 male (JIC 37-74 ANGLE)	with O-Ring
<b>AN6M</b>	AN6 male (JIC 37-74 ANGLE)	with O-Ring

### VACCUM CONNECTOR OPTION

<b>STYE</b>	STAUBLI/TST RBE 03	with • YELLOW CODE
<b>AN5M</b>	AN5 male (JIC 37-74 ANGLE)	with O-RING

### HOW TO ORDER

PZ-0223-A- **D50** - **STBK** - **STYE**

VACCUM CONNECTOR SIZE  
PS PORT CONNECTOR SIZE  
PS PORT SEAL SIZE

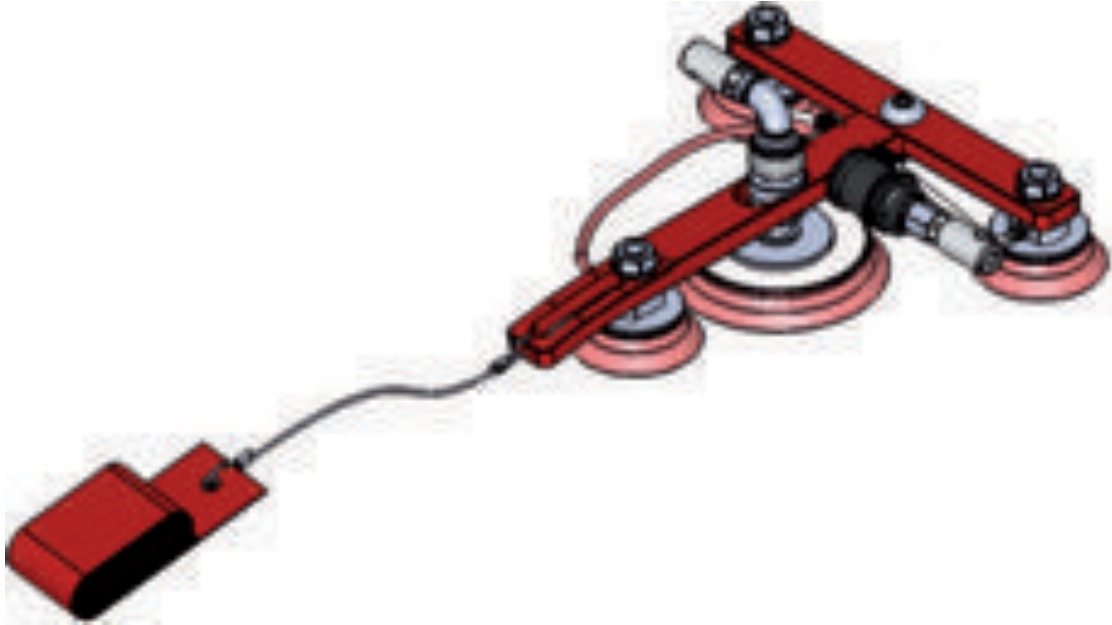
### PZ-0224-A-SEAL KIT contains :

- 2x 50mm seals
- 2x 80mm seals
- 2x Suction cups
- 1x Seal plastic insertion tool

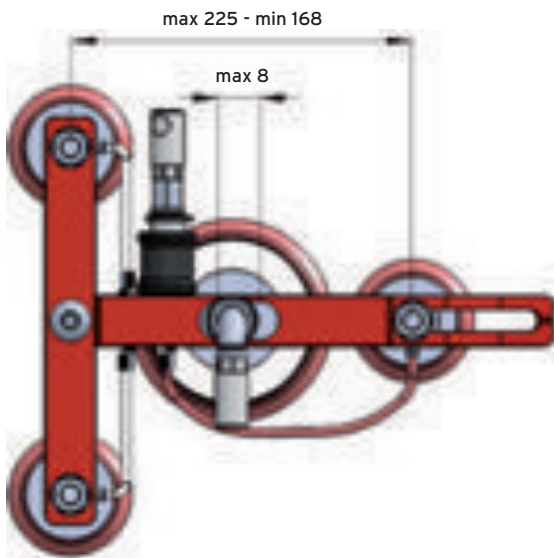
# PZ-0224 T3 VAC CUPS LARGE STATIC PORT

## SINGLE LARGE STATIC PORT - TRIPLE SUCCION CUPS ADAPTOR

This adaptor is ideally designed for small triple static ports configuration, when it is not possible to fit three independant adaptors.



### ADJUSTMENT SIZES



### PS CONNECTOR OPTION

<b>STBK</b>	STAUBLI/TST RBE 03	with • BLACK CODE
<b>AN4M</b>	AN4 male (JIC 37-74 ANGLE)	with O-Ring
<b>AN6M</b>	AN6 male (JIC 37-74 ANGLE)	with O-Ring

### VACCUM CONNECTOR OPTION

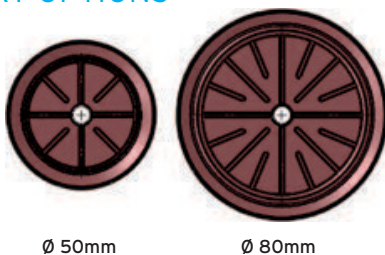
<b>STYE</b>	STAUBLI/TST RBE 03	with • YELLOW CODE
<b>AN5M</b>	AN5 male (JIC 37-74 ANGLE)	with O-RING

### HOW TO ORDER

**PZ-0224-A- D50 - STBK - STYE**

— VACCUM CONNECTOR SIZE  
 — PS PORT CONNECTOR SIZE  
 — PS PORT SEAL SIZE

### PS PORT OPTIONS



### PZ-0224-A-SEAL KIT contains :

- 2x 50mm seals
- 2x 80mm seals
- 2x Succion cups
- 1x Seal plastic insertion tool

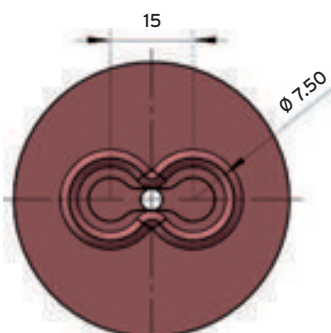
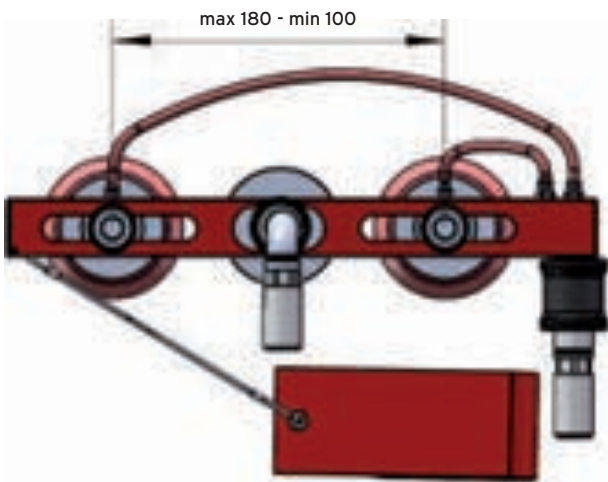
# PZ-0227 FALCON2000 2 VAC CUPS 8 SHAPE PS

## FALCON 2000 PS PORT - DUAL SUCCION CUPS - STATIC PORT ADAPTOR

This adaptor is ideally designed for the FALCON 2000 static port configuration.



### ADJUSTMENT SIZES



### PS CONNECTOR OPTION

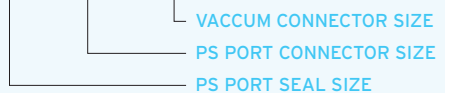
<b>STBK</b>	STAUBLI/TST RBE 03	with • BLACK CODE
<b>AN4M</b>	AN4 male (JIC 37-74 ANGLE)	with O-Ring
<b>AN6M</b>	AN6 male (JIC 37-74 ANGLE)	with O-Ring

### VACCUM CONNECTOR OPTION

<b>STYE</b>	STAUBLI/TST RBE 03	with • YELLOW CODE
<b>AN5M</b>	AN5 male (JIC 37-74 ANGLE)	with O-RING

### HOW TO ORDER

**PZ-0227-A- F2000 - STBK - STYE**



### PZ-0227-A-SEAL REPLACEMENT KIT contains :

- 2x F2000 seals
- 2x Succion cups

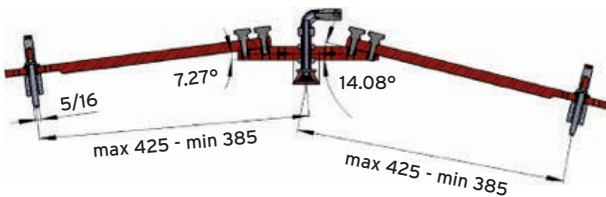
# PZ-0229 A380 STDBY

## AIRBUS A380 STANDBY PS PORT - DUAL SCREW MOUNT-ADAPTOR

This adaptor is ideally designed for AIRBUS A380 standby static port left or right side.



### ADJUSTMENT SIZES



### PS CONNECTOR OPTION

<b>STBK</b>	STAUBLI/TST RBE 03	with • BLACK CODE
<b>AN4M</b>	AN4 male (JIC 37-74 ANGLE)	with O-Ring
<b>AN6M</b>	AN6 male (JIC 37-74 ANGLE)	with O-Ring

### HOW TO ORDER

**PZ-0229-A- DCUP - STBK**

PS PORT CONNECTOR SIZE  
PS PORT SEAL SIZE

**PZ-0107-A-REPLACEMENT CUP SEAL** contains :

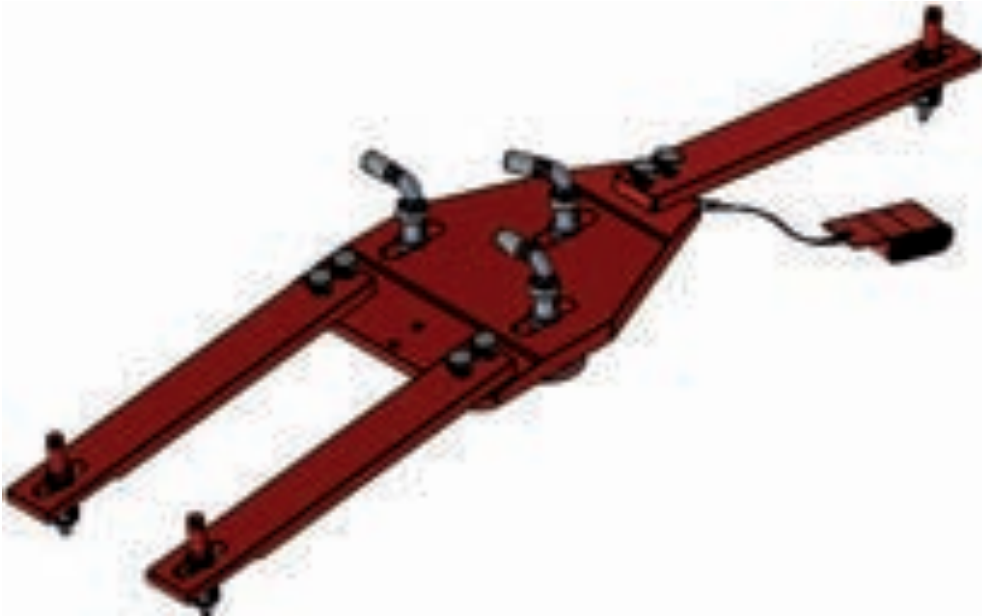
- 2x 40mm outside diameter cup seals



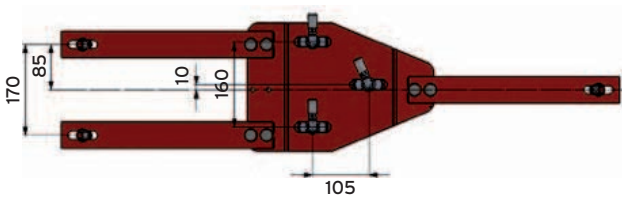
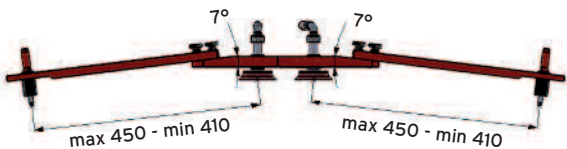
# PZ-0230 A380 LEFT ISP

## AIRBUS A380 LEFT ISP PORT - TRIPLE SCREW MOUNT-ADAPTOR

This adaptor is ideally designed for AIRBUS A380 left side ISP (Integrated Static Probe) multiple static port. One arm can be dismantled and stored on the other side of the adaptor for storage.



### ADJUSTMENT SIZES



### PS CONNECTOR OPTION

<b>STBK</b>	STAUBLI/TST RBE 03	with • BLACK CODE
<b>AN4M</b>	AN4 male (JIC 37-74 ANGLE)	with O-Ring
<b>AN6M</b>	AN6 male (JIC 37-74 ANGLE)	with O-Ring

### HOW TO ORDER

**PZ-0230-A- DCUP - STBK**

PS PORT CONNECTOR SIZE  
PS PORT SEAL SIZE

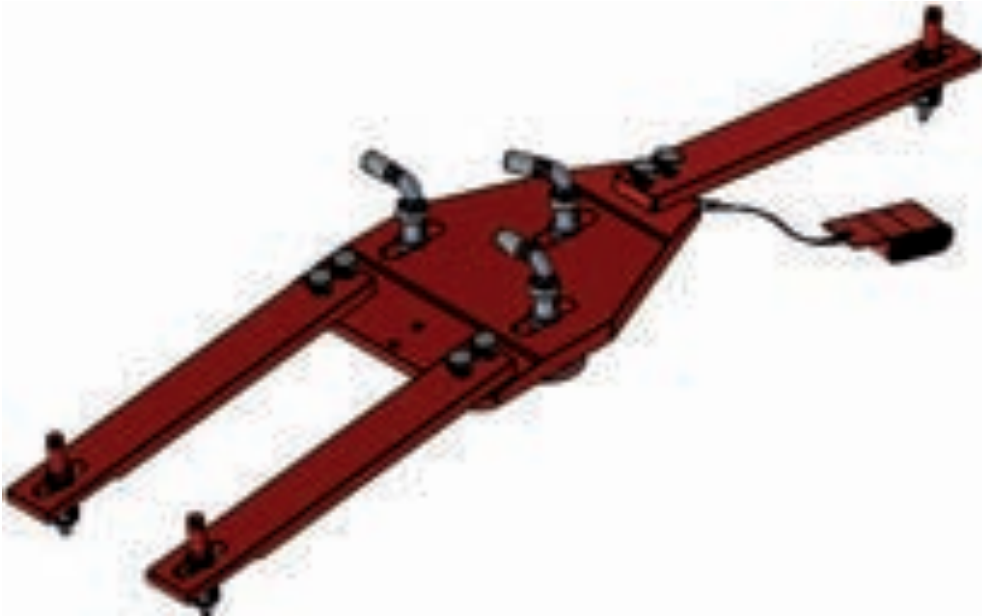
**PZ-0107-A-REPLACEMENT CUP SEAL** contains :

- 2x 40mm outside diameter cup seals

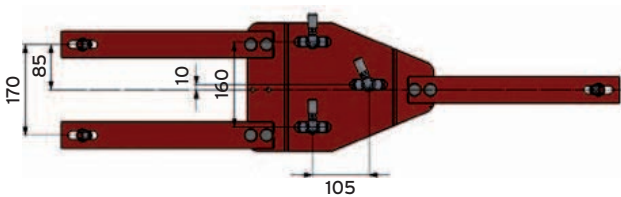
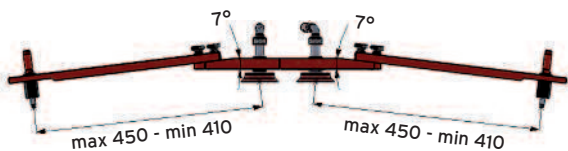
# PZ-0231 A380 RIGHT ISP

## AIRBUS A380 RIGHT ISP PORT - TRIPLE SCREW MOUNT-ADAPTOR

This adaptor is ideally designed for AIRBUS A380 right side ISP (Integrated Static Probe) multiple static port. One arm can be dismantled and stored on the other side of the adaptor for storage.



### ADJUSTMENT SIZES



### PS CONNECTOR OPTION

<b>STBK</b>	STAUBLI/TST RBE 03	with • BLACK CODE
<b>AN4M</b>	AN4 male (JIC 37-74 ANGLE)	with O-Ring
<b>AN6M</b>	AN6 male (JIC 37-74 ANGLE)	with O-Ring

### HOW TO ORDER

PZ-0231-A- **DCUP** - **STBK**

PS PORT CONNECTOR SIZE  
PS PORT SEAL SIZE

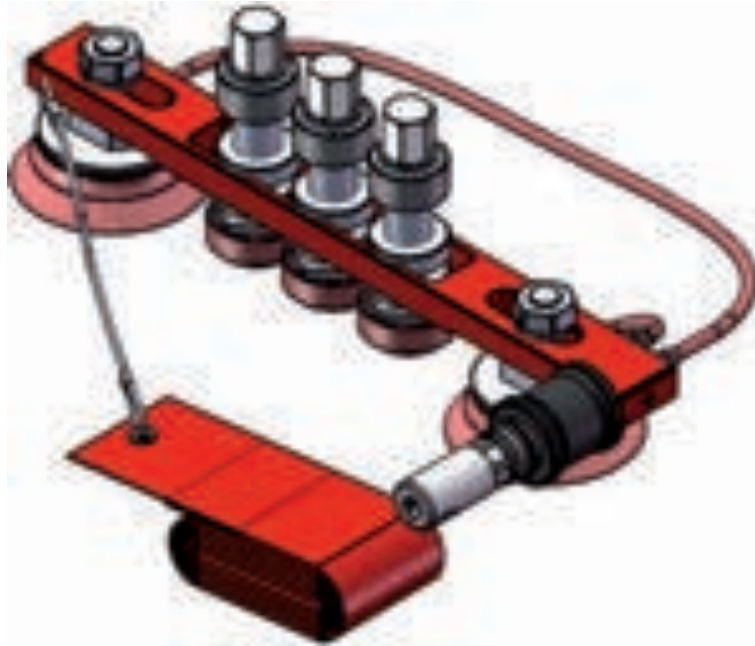
**PZ-0107-A-REPLACEMENT CUP SEAL** contains :

- 2x 40mm outside diameter cup seals

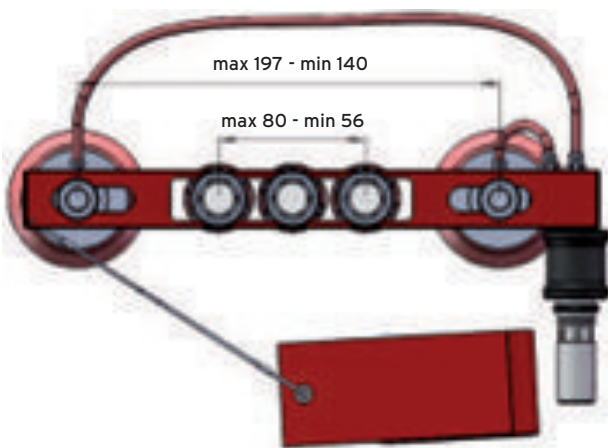
# PZ-0232 3 CLOSED PS 2VAC CUPS

## TRIPLE PS PORTS CLOSED - DUAL SUCCION CUPS - STATIC PORT ADAPTOR

This adaptor is ideally designed to plug small triple static ports configuration, when it is not possible or safe to fit three independent plugs.



### ADJUSTMENT SIZES



### PS CONNECTOR OPTION

<b>PLUG</b>	PLUGS on each static port	
<b>STBK</b>	STAUBLI/TST RBE 03	with • BLACK CODE
<b>AN4M</b>	AN4 male (JIC 37-74 ANGLE)	with O-Ring
<b>AN6M</b>	AN6 male (JIC 37-74 ANGLE)	with O-Ring

### VACCUM CONNECTOR OPTION

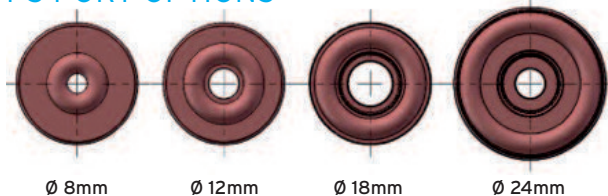
<b>STYE</b>	STAUBLI/TST RBE 03	with • YELLOW CODE
<b>AN5M</b>	AN5 male (JIC 37-74 ANGLE)	with O-RING

### HOW TO ORDER

PZ-0222-A- **DOB** - **STBK** - **STYE**

— VACCUM CONNECTOR SIZE  
 — PS PORT CONNECTOR SIZE  
 — PS PORT SEAL SIZE

### PS PORT OPTIONS



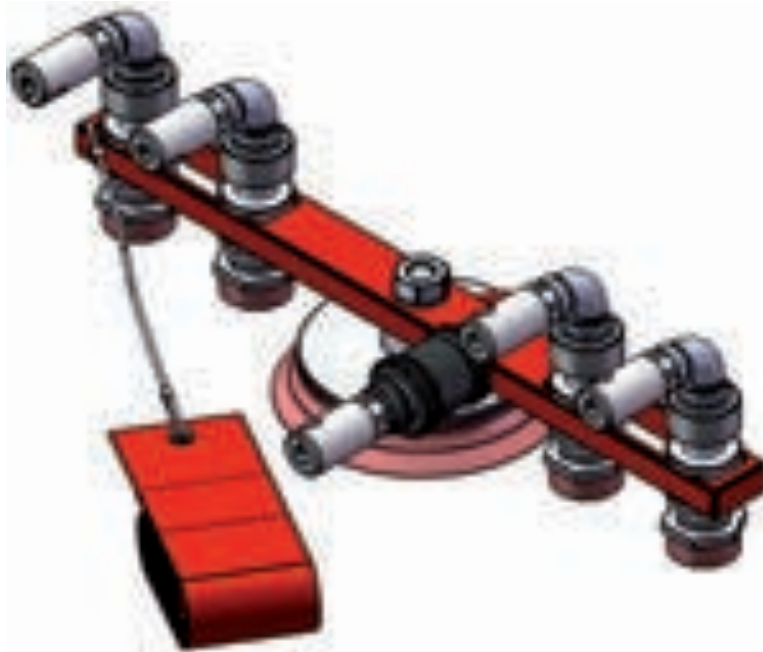
### PZ-0221-A-SEAL KIT contains :

- 2x 8mm seals
- 2x 12mm seals
- 2x 18mm seals
- 2x 24mm seals
- 2x Succion cups
- 1x Seal plastic insertion tool

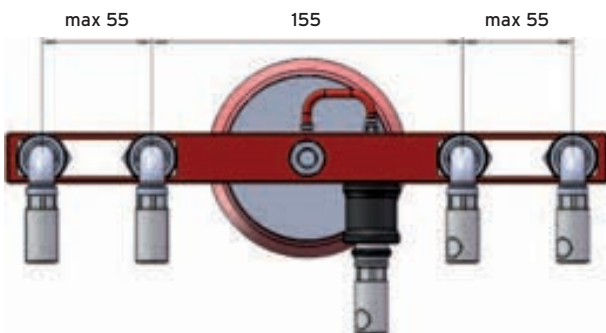
# PZ-0233 FENNEC QUAD STATIC

## FENNEC TRIPLE PS PORTS - DUAL SUCCION CUPS STATIC PORT ADAPTOR

This adaptor is ideally designed for the Fennec dual or quadruple static ports configuration, when it is not possible to fit two independent adaptors.



### ADJUSTMENT SIZES



### PS CONNECTOR OPTION

<b>STBK</b>	STAUBLI/TST RBE 03	with • BLACK CODE
<b>AN4M</b>	AN4 male (JIC 37-74 ANGLE)	with O-Ring
<b>AN6M</b>	AN6 male (JIC 37-74 ANGLE)	with O-Ring

### VACCUM CONNECTOR OPTION

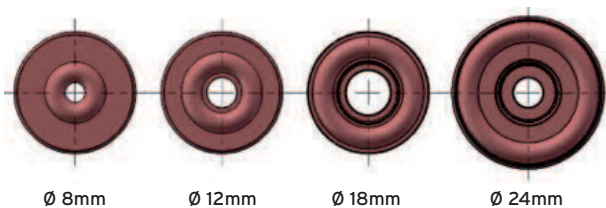
<b>STYE</b>	STAUBLI/TST RBE 03	with • YELLOW CODE
<b>AN5M</b>	AN5 male (JIC 37-74 ANGLE)	with O-RING

### HOW TO ORDER

**PZ-0233-A- D08 - STBK - STYE**

— VACCUM CONNECTOR SIZE  
— PS PORT CONNECTOR SIZE  
— PS PORT SEAL SIZE

### PS PORT OPTIONS

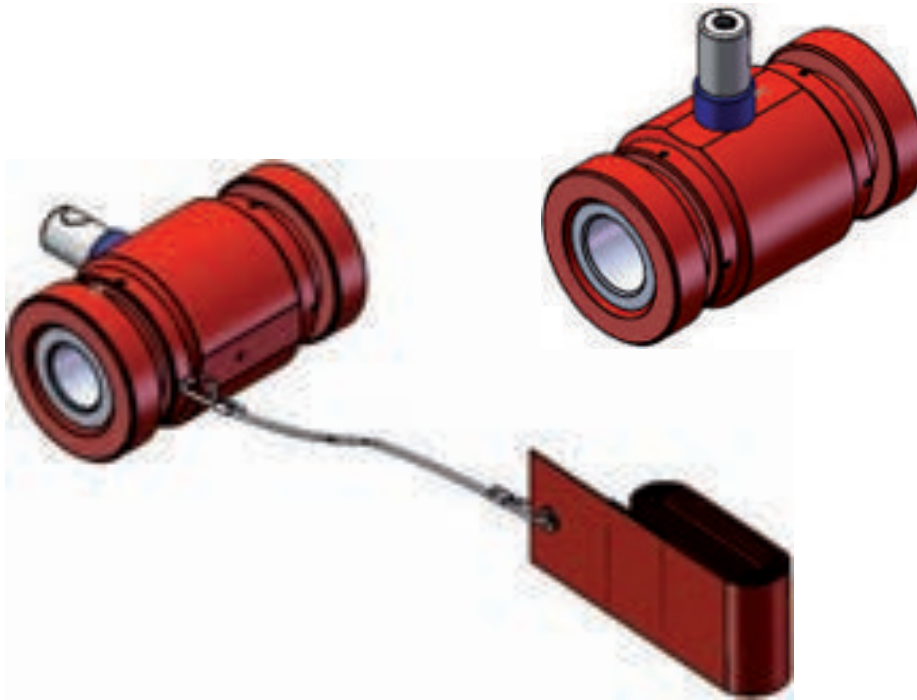


### PZ-0221-A-SEAL KIT contains :

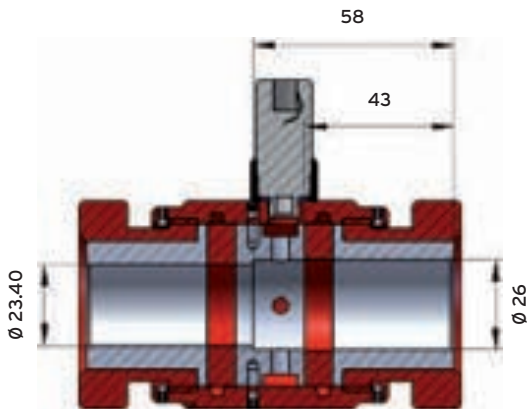
- 2x 8mm seals
- 2x 12mm seals
- 2x 18mm seals
- 2x 24mm seals
- 2x Suction cups
- 1x Seal plastic insertion tool

# PZ-0236 SINGLE THROUGH STATIC 23MM CESNA GRAND-CARVAN PS ADAPTOR DIA.23

This adaptor is ideally designed for PITOT tube through hole static ports configuration when the position of the static holes prohibits a combined adaptor.



## ADJUSTMENT SIZES



## PS CONNECTOR OPTION

<b>STBK</b>	STAUBLI/TST RBE 03	with • BLACK CODE
<b>AN4M</b>	AN4 male (JIC 37-74 ANGLE)	with O-Ring
<b>AN6M</b>	AN6 male (JIC 37-74 ANGLE)	with O-Ring

## HOW TO ORDER

PZ-0236-A- **STBK**

PS PORT CONNECTOR SIZE

**PZ-0236-A-SEAL REPLACEMENT KIT** contains :

- 23mm and 26mm inside diameter seals

## THIS ADAPTER CAN ALSO BE MANUFACTURED

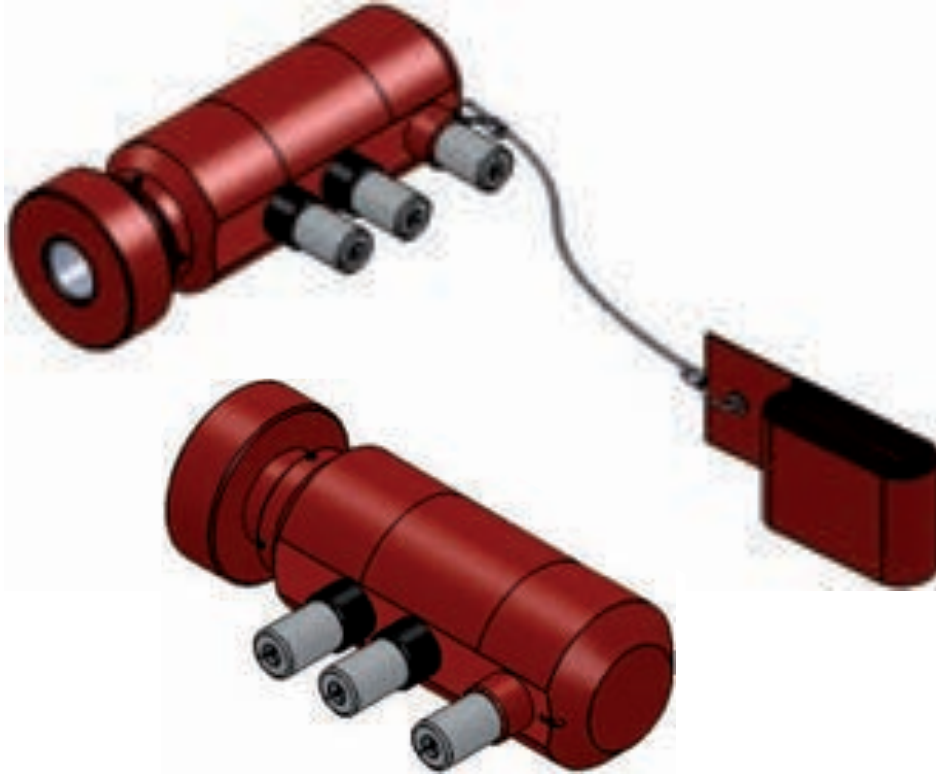
in **21mm, 23mm, 25mm and 27mm**

PLEASE DO NOT HESITATE TO CONTACT US.

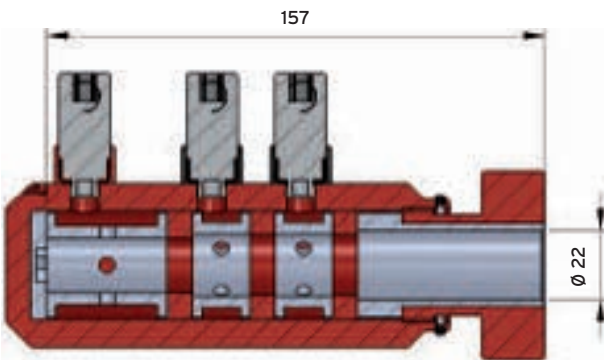
# PZ-0131 NH90 2PS 1PT

## NH90 TRIPLE PS PORTS - SINGLE DYNAMIC PORT ADAPTOR

This adaptor is ideally designed for the NH90 airplane.



### ADJUSTMENT SIZES



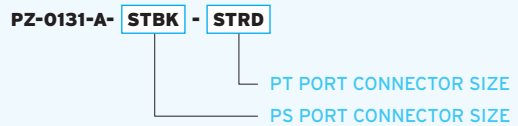
### PS CONNECTOR OPTION

<b>STBK</b>	STAUBLI/TST RBE 03	with • BLACK CODE
<b>AN4M</b>	AN4 male (JIC 37-74 ANGLE)	with O-Ring
<b>AN6M</b>	AN6 male (JIC 37-74 ANGLE)	with O-Ring

### PT CONNECTOR OPTION

<b>STRD</b>	STAUBLI/TST RBE 03	with • RED CODE
<b>AN3M</b>	AN3 male (JIC 37-74 ANGLE)	with O-RING
<b>AN4M</b>	AN4 male (JIC 37-74 ANGLE)	with O-RING

### HOW TO ORDER



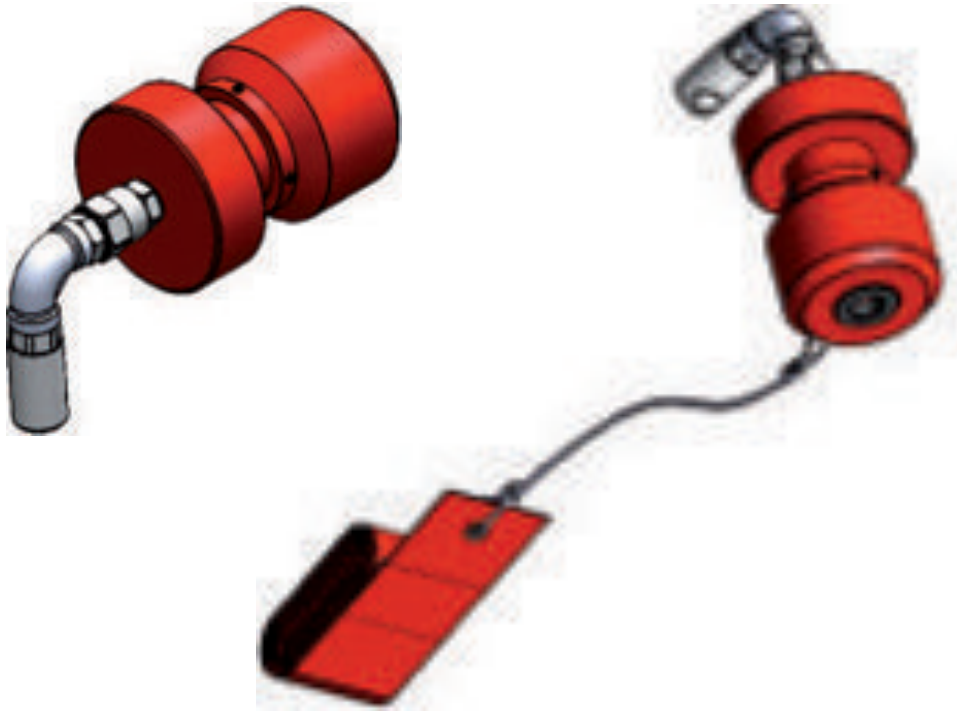
**PZ-0131-A-SEAL REPLACEMENT KIT** contains :

- 4x 20mm inside diameter seals

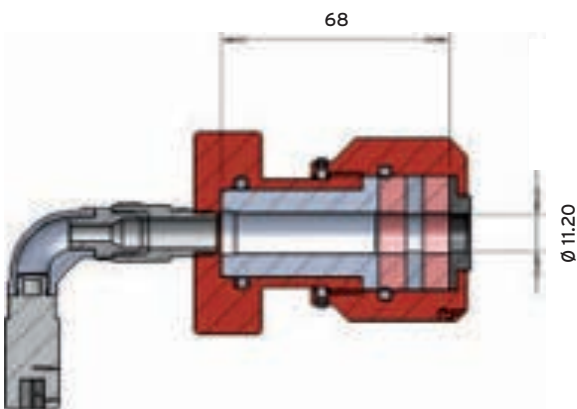
# PZ-0145 SINGLE PT 9-11

## SINGLE DYNAMIC PORT ADAPTOR 9-11MM DIAMETER RANGE

This adaptor is ideally designed for small single dynamic ports configuration 9-11mm diameter.



### ADJUSTMENT SIZES



### PT CONNECTOR OPTION

<b>STRD</b>	STAUBLI/TST RBE 03	with • RED CODE
<b>AN3M</b>	AN3 male (JIC 37-74 ANGLE)	with O-Ring
<b>AN4M</b>	AN4 male (JIC 37-74 ANGLE)	with O-Ring

### HOW TO ORDER

**PZ-0145-A-** **STRD**

PT PORT CONNECTOR SIZE

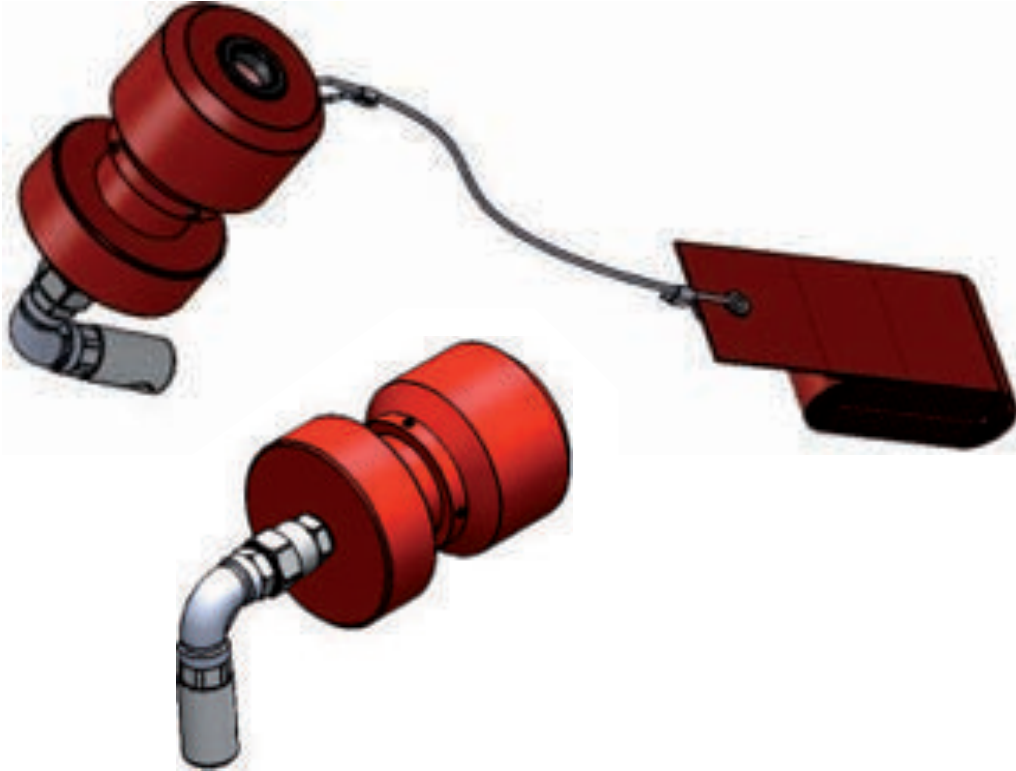
**PZ-0145-A-SEAL REPLACEMENT KIT** contains :

- 2x 11mm inside diameter seals

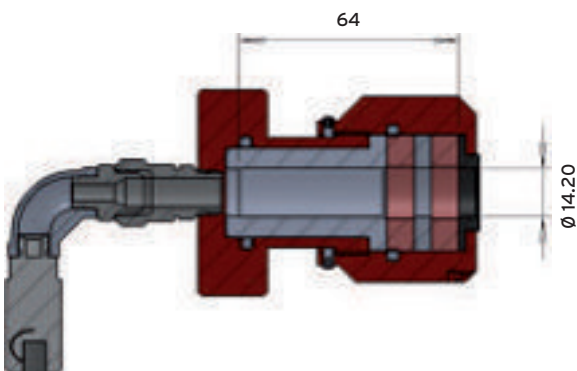
# PZ-0148 SINGLE PT 12-14

## SINGLE DYNAMIC PORT ADAPTOR 12-14MM DIAMETER RANGE

This adaptor is ideally designed for PITOT tubes dynamic port connection 12-14mm diameter



### ADJUSTMENT SIZES



### PT CONNECTOR OPTION

<b>STRD</b>	STAUBLI/TST RBE 03	with • RED CODE
<b>AN3M</b>	AN3 male (JIC 37-74 ANGLE)	with O-Ring
<b>AN4M</b>	AN4 male (JIC 37-74 ANGLE)	with O-Ring

### HOW TO ORDER

**PZ-0148-A-** **STRD**

PT PORT CONNECTOR SIZE

### PZ-0148-A-SEAL REPLACEMENT KIT contains :

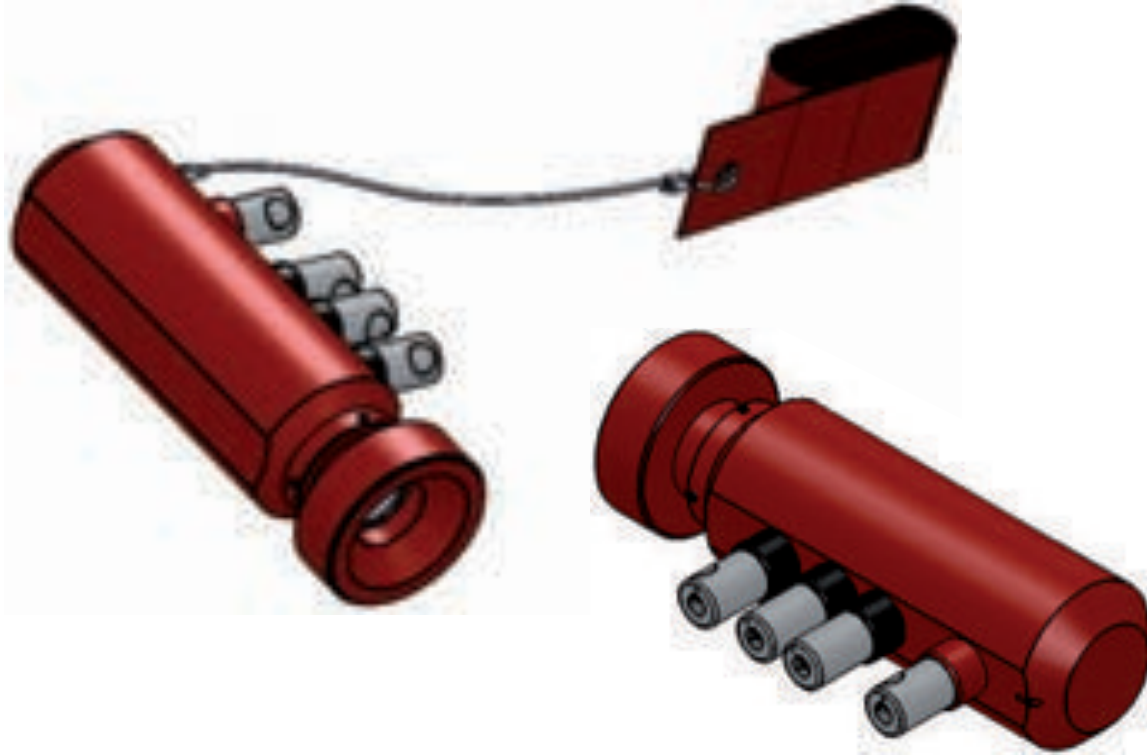
- 2x 14mm inside diameter seals



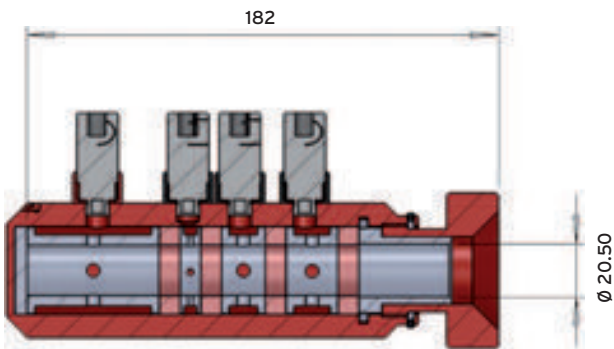
# PZ-0150 NH90 3PS 1PT

## NH90 TRIPLE PS PORTS - SINGLE DYNAMIC PORT ADAPTOR

This adaptor is ideally designed for the NH90 airplane.



### ADJUSTMENT SIZES



### PS CONNECTOR OPTION

<b>STBK</b>	STAUBLI/TST RBE 03	with • BLACK CODE
<b>AN4M</b>	AN4 male (JIC 37-74 ANGLE)	with O-Ring
<b>AN6M</b>	AN6 male (JIC 37-74 ANGLE)	with O-Ring

### PT CONNECTOR OPTION

<b>STRD</b>	STAUBLI/TST RBE 03	with • RED CODE
<b>AN3M</b>	AN3 male (JIC 37-74 ANGLE)	with O-RING
<b>AN4M</b>	AN4 male (JIC 37-74 ANGLE)	with O-RING

### HOW TO ORDER

PZ-0150-A- **STBK** - **STRD**

PT PORT CONNECTOR SIZE  
PS PORT CONNECTOR SIZE

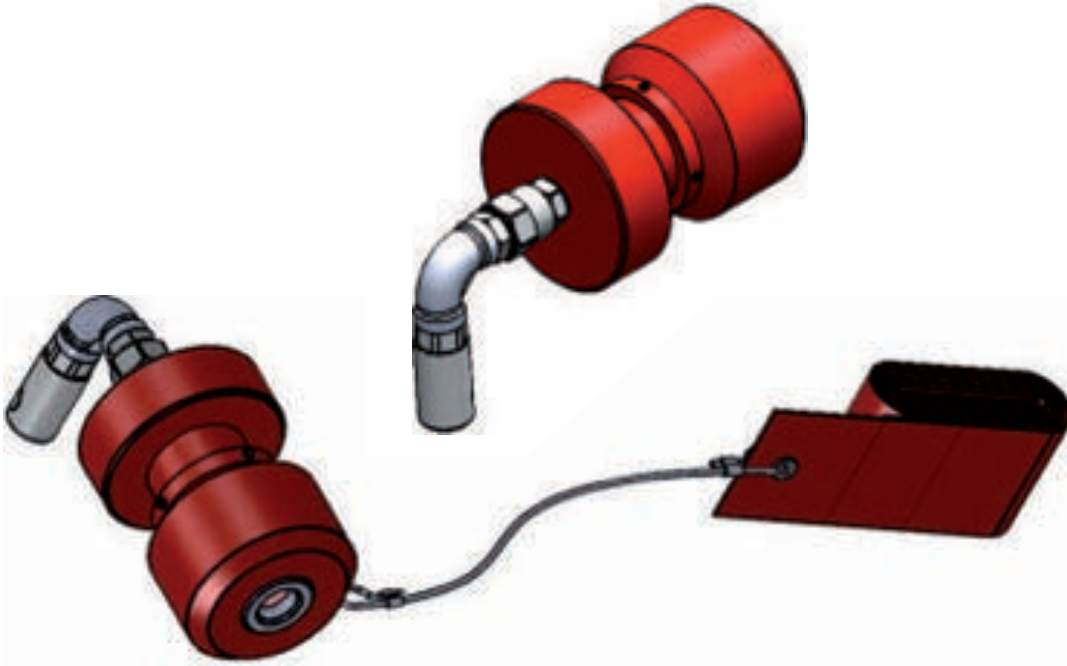
### PZ-0150-A-SEAL REPLACEMENT KIT contains :

- 4x 20mm inside diameter seals

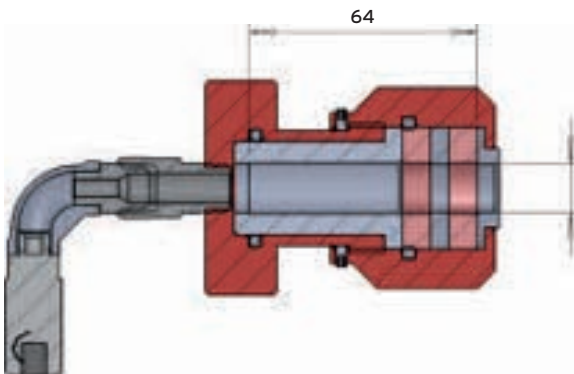
# PZ-0151 SINGLE PT 11-13

## SINGLE DYNAMIC PORT ADAPTOR 11-13MM DIAMETER RANGE

This adaptor is ideally designed for PITOT tubes dynamic port connection 11-12 diameter range.



### ADJUSTMENT SIZES



### PT CONNECTOR OPTION

<b>STRD</b>	STAUBLI/TST RBE 03	with • RED CODE
<b>AN3M</b>	AN3 male (JIC 37-74 ANGLE)	with O-Ring
<b>AN4M</b>	AN4 male (JIC 37-74 ANGLE)	with O-Ring

### HOW TO ORDER

**PZ-0151-A-STRD**

PT PORT CONNECTOR SIZE

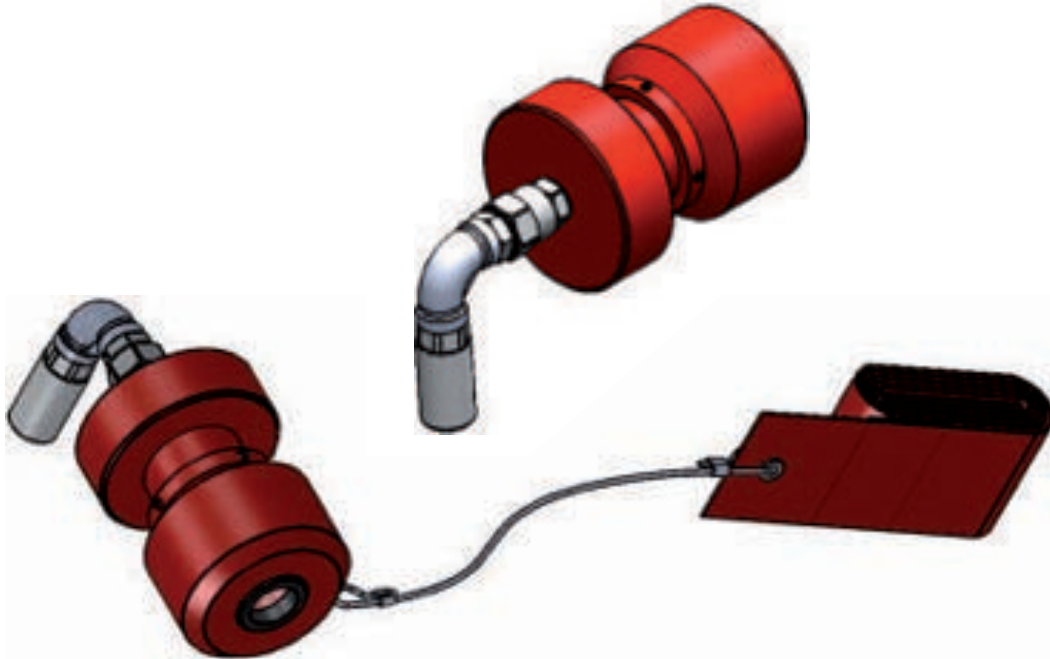
### PZ-0151-A-SEAL REPLACEMENT KIT contains :

- 2x 13mm inside diameter seals

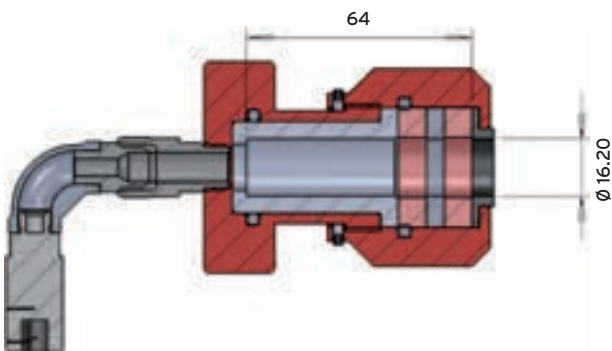
# PZ-0152 SINGLE PT 14-16

## SINGLE DYNAMIC PORT ADAPTOR 14-16MM DIAMETER RANGE

This adaptor is ideally designed for single PITOT tube dynamic port configuration 14-16mm diameter range.



### ADJUSTMENT SIZES



### PT CONNECTOR OPTION

<b>STRD</b>	STAUBLI/TST RBE 03	with • RED CODE
<b>AN3M</b>	AN3 male (JIC 37-74 ANGLE)	with O-Ring
<b>AN4M</b>	AN4 male (JIC 37-74 ANGLE)	with O-Ring

### HOW TO ORDER

**PZ-0152-A-** **STRD**

PT PORT CONNECTOR SIZE

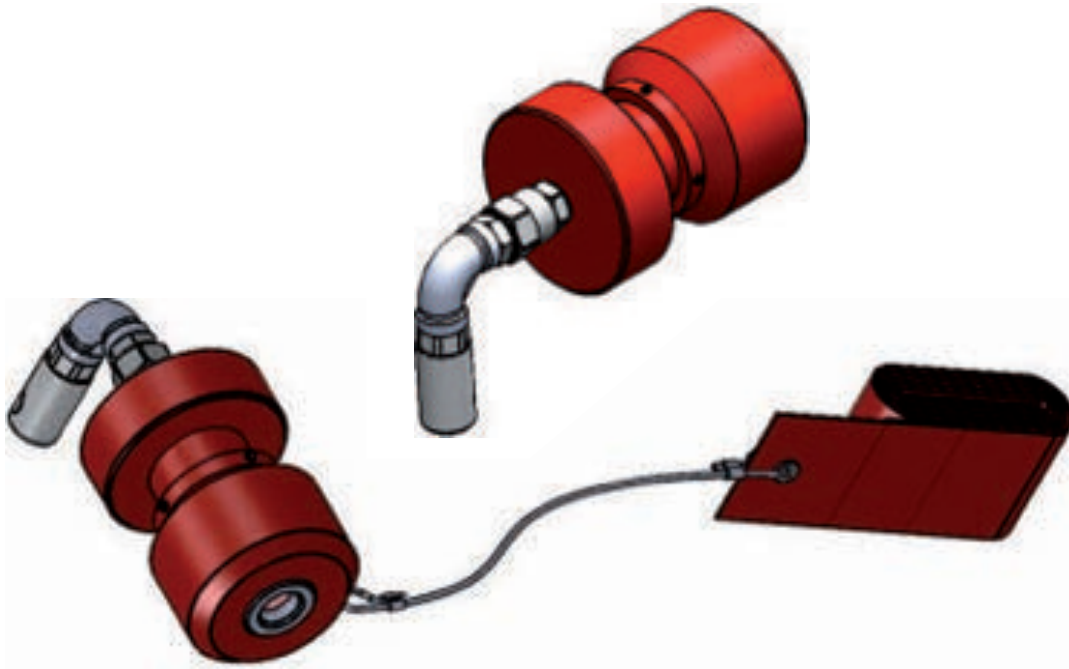
**PZ-0152-A-SEAL REPLACEMENT KIT** contains :

- 2x 16mm inside diameter seals

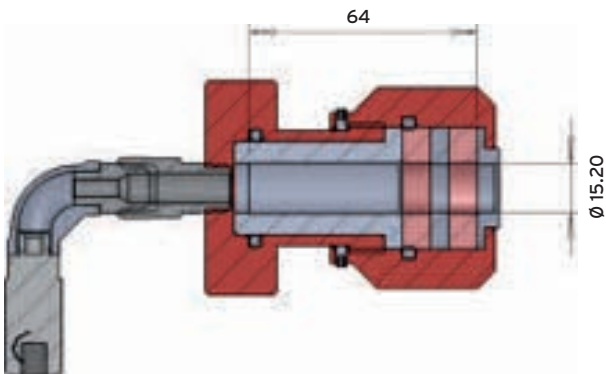
# PZ-0153 SINGLE PT 13-15

## SINGLE DYNAMIC PORT ADAPTOR 13-15MM DIAMETER RANGE

This adaptor is ideally designed for single PITOT tube dynamic port configuration in the 13-15mm diameter range.



### ADJUSTMENT SIZES



### PT CONNECTOR OPTION

<b>STRD</b>	STAUBLI/TST RBE 03	with • RED CODE
<b>AN3M</b>	AN3 male (JIC 37-74 ANGLE)	with O-Ring
<b>AN4M</b>	AN4 male (JIC 37-74 ANGLE)	with O-Ring

### HOW TO ORDER

PZ-0153-A- **STRD**

PT PORT CONNECTOR SIZE

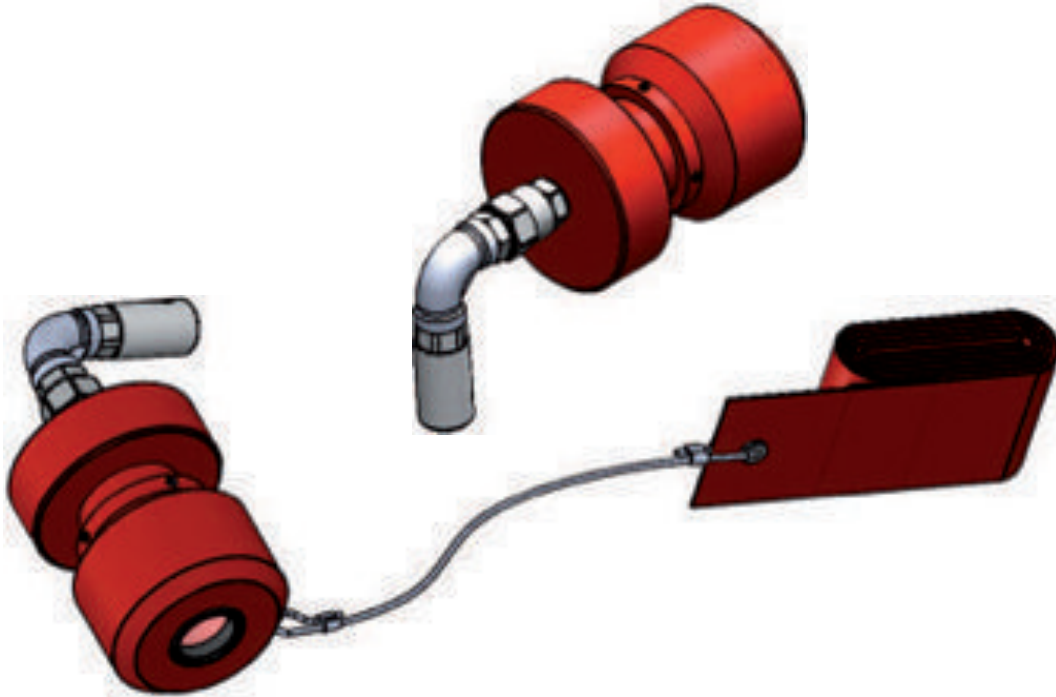
**PZ-0153-A-SEAL REPLACEMENT KIT** contains :

- 2x 15mm inside diameter seals

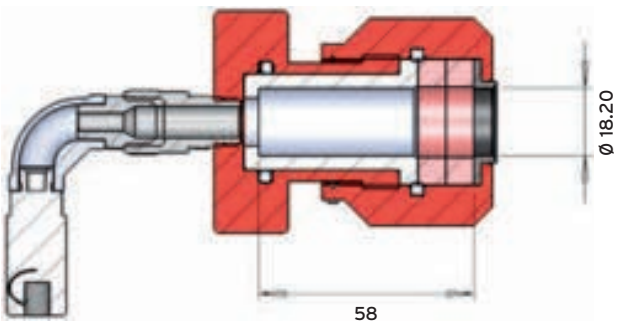
# PZ-0154 SINGLE SHORT PT 16-18

## SINGLE SHORT 16-18MM DIAMETER RANGE DYNAMIC PORT ADAPTOR

This adaptor is ideally designed for short CARACAL PITOT tubes in the 16-18mm range.



### ADJUSTMENT SIZES



### PT CONNECTOR OPTION

<b>STRD</b>	STAUBLI/TST RBE 03	with • RED CODE
<b>AN3M</b>	AN3 male (JIC 37-74 ANGLE)	with O-Ring
<b>AN4M</b>	AN4 male (JIC 37-74 ANGLE)	with O-Ring

### HOW TO ORDER

PZ-0154-A- **STRD**

PT PORT CONNECTOR SIZE

**PZ-0154-A-SEAL REPLACEMENT KIT** contains :

- 2x 18mm inside diameter seals

### THIS ADAPTER CAN ALSO BE MANUFACTURED

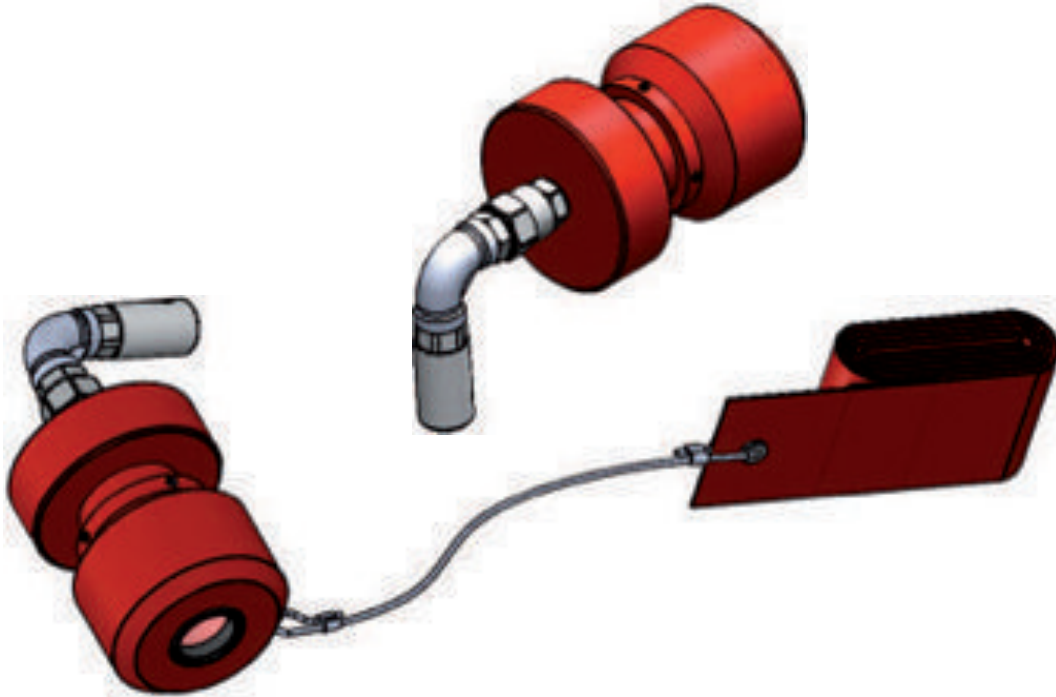
in **9-11mm, 10-12mm, 12-14mm, 14-16mm, 16-18mm** and **18-20mm**

DO NOT HESITATE FOR ANY SPECIAL ORDER.

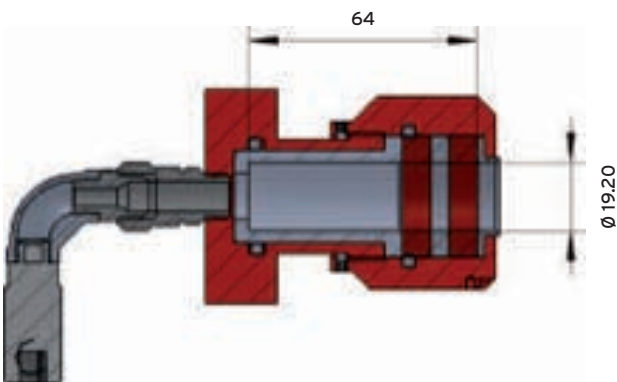
# PZ-0155 SINGLE PT 17-19

## SINGLE 17-19MM DIAMETER RANGE DYNAMIC PORT ADAPTOR

This adaptor is ideally designed for short CARACAL PITOT tubes in the 17-19mm range.



### ADJUSTMENT SIZES



### PT CONNECTOR OPTION

<b>STRD</b>	STAUBLI/TST RBE 03	with • RED CODE
<b>AN3M</b>	AN3 male (JIC 37-74 ANGLE)	with O-Ring
<b>AN4M</b>	AN4 male (JIC 37-74 ANGLE)	with O-Ring

### HOW TO ORDER

**PZ-0155-A-** **STRD**  
 \_\_\_\_\_ PT PORT CONNECTOR SIZE

### PZ-0154-A-SEAL REPLACEMENT KIT contains :

- 2x 18mm inside diameter seals

### THIS ADAPTER CAN ALSO BE MANUFACTURED

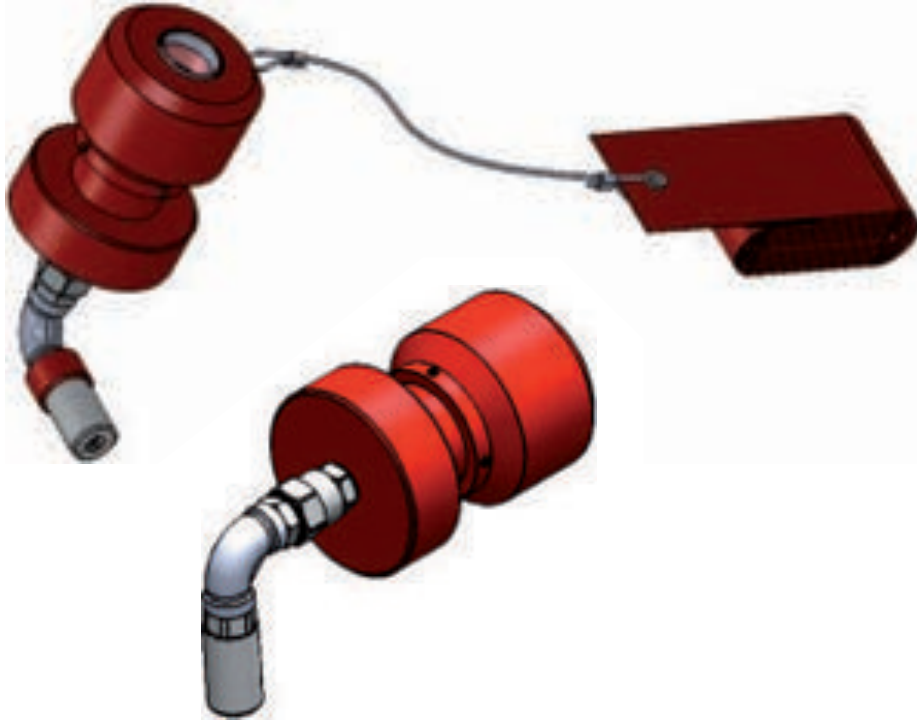
in **9-11mm, 10-12mm, 12-14mm** and **14-16mm**

DO NOT HESITATE FOR ANY SPECIAL ORDER.

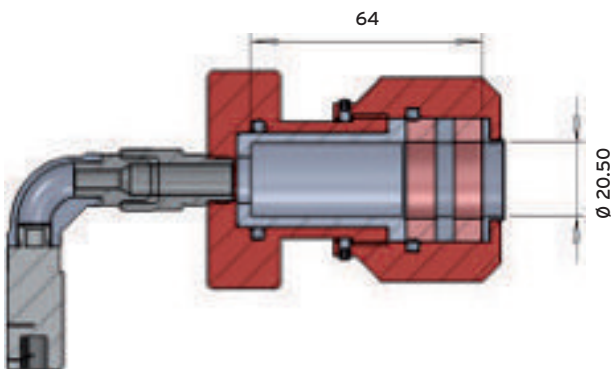
# PZ-0156 SINGLE PT 18-20MM

## SINGLE DYNAMIC PORT ADAPTOR 18-20MM DIAMETER RANGE

This adaptor is ideally designed for single PITOT dynamic port configuration, 18-20mm diameter range.



### ADJUSTMENT SIZES



### PT CONNECTOR OPTION

<b>STRD</b>	STAUBLI/TST RBE 03	with • RED CODE
<b>AN3M</b>	AN3 male (JIC 37-74 ANGLE)	with O-Ring
<b>AN4M</b>	AN4 male (JIC 37-74 ANGLE)	with O-Ring

### HOW TO ORDER

PZ-0156-A-**STRD**

PT PORT CONNECTOR SIZE

**PZ-0156-A-SEAL REPLACEMENT KIT** contains :

- 2x 20mm inside diameter seals

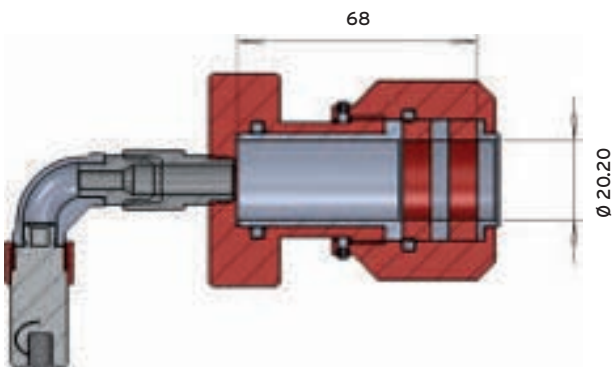
# PZ-0160 SINGLE PT 20-22MM

## SINGLE DYNAMIC PORT ADAPTOR 20-22MM DIAMETER RANGE

This adaptor is ideally designed for single PITOT dynamic port configuration, 20-22mm diameter range.



### ADJUSTMENT SIZES



### PT CONNECTOR OPTION

<b>STRD</b>	STAUBLI/TST RBE 03	with • RED CODE
<b>AN3M</b>	AN3 male (JIC 37-74 ANGLE)	with O-Ring
<b>AN4M</b>	AN4 male (JIC 37-74 ANGLE)	with O-Ring

### HOW TO ORDER

PZ-0160-A-**STRD**

PT PORT CONNECTOR SIZE

**PZ-0160-A-SEAL REPLACEMENT KIT** contains:

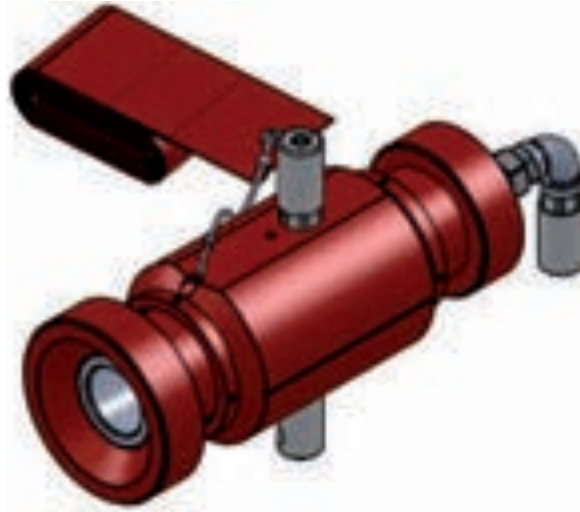
- 2x 22mm inside diameter seals



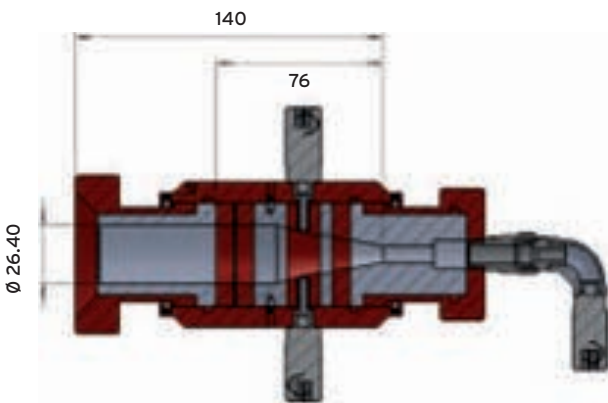
# PZ-0176 SMART PROBE 26MM

## SINGLE 26MM "SMART PROBE" PT/AOA - COMBINED ADAPTOR

This adaptor is ideally designed for combined AOA and dynamic ports 26mm "smart probe" configuration.



### ADJUSTMENT SIZES



### PT CONNECTOR OPTION

- |             |                            |                 |
|-------------|----------------------------|-----------------|
| <b>STRD</b> | STAUBLI/TST RBE 03         | with • RED CODE |
| <b>AN3M</b> | AN3 male (JIC 37-74 ANGLE) | with O-Ring     |
| <b>AN4M</b> | AN4 male (JIC 37-74 ANGLE) | with O-Ring     |

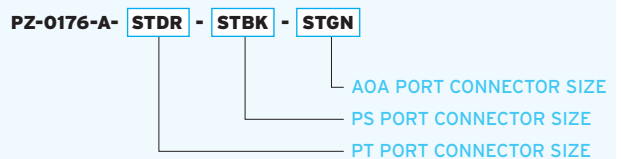
### PS CONNECTOR OPTION

- |             |                            |                   |
|-------------|----------------------------|-------------------|
| <b>STBK</b> | STAUBLI/TST RBE 03         | with • BLACK CODE |
| <b>AN4M</b> | AN4 male (JIC 37-74 ANGLE) | with O-Ring       |
| <b>AN6M</b> | AN6 male (JIC 37-74 ANGLE) | with O-Ring       |

### AOA CONNECTOR OPTION

- |             |                            |                   |
|-------------|----------------------------|-------------------|
| <b>STGN</b> | STAUBLI/TST RBE 03         | with • GREEN CODE |
| <b>AN4M</b> | AN4 male (JIC 37-74 ANGLE) | with O-Ring       |
| <b>AN6M</b> | AN6 male (JIC 37-74 ANGLE) | with O-Ring       |

### HOW TO ORDER



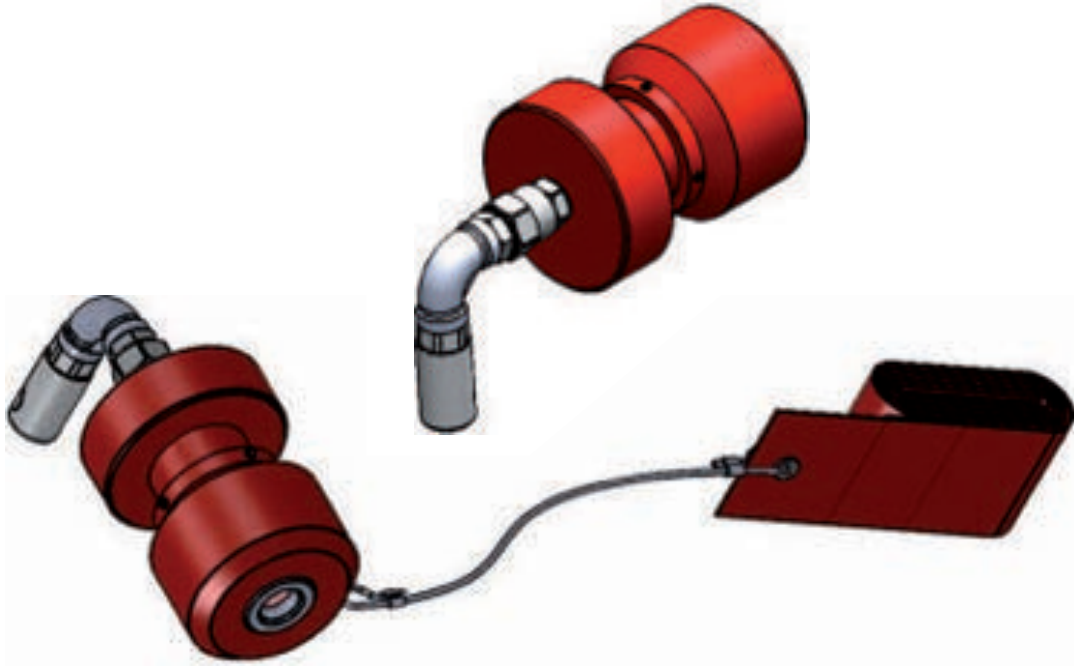
### PZ-0176-A-SEAL REPLACEMENT KIT contains :

- 1 of each special seals in this connector

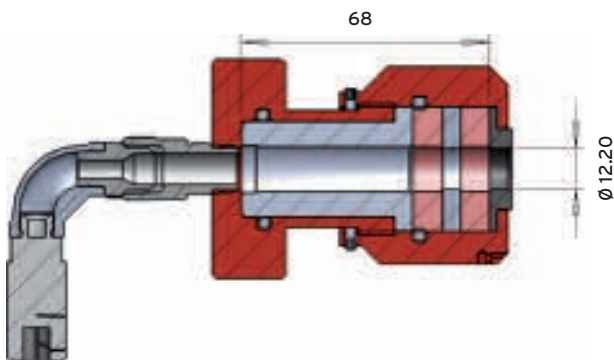
# PZ-0184 SINGLE PT 10-12MM

## SINGLE DYNAMIC PORT ADAPTOR 10-12MM DIAMETER RANGE

This adaptor is ideally designed for PITOT tube single dynamic pressure connection.



### ADJUSTMENT SIZES



### PT CONNECTOR OPTION

<b>STRD</b>	STAUBLI/TST RBE 03	with • RED CODE
<b>AN3M</b>	AN3 male (JIC 37-74 ANGLE)	with O-Ring
<b>AN4M</b>	AN4 male (JIC 37-74 ANGLE)	with O-Ring

### HOW TO ORDER

PZ-0184-A-**STRD**

PT PORT CONNECTOR SIZE

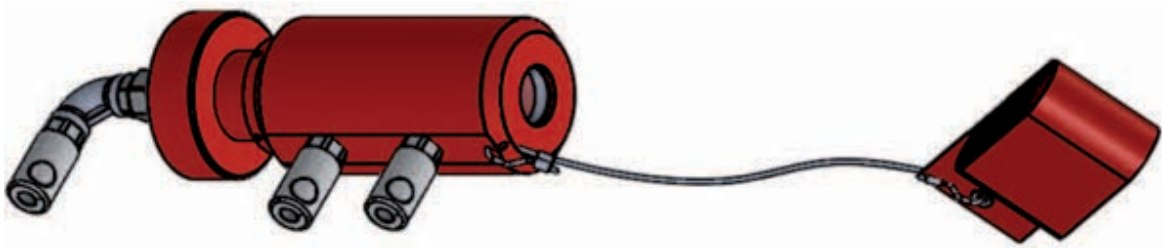
**PZ-0184-A-SEAL REPLACEMENT KIT** contains :

- 2x 12mm inside diameter seals

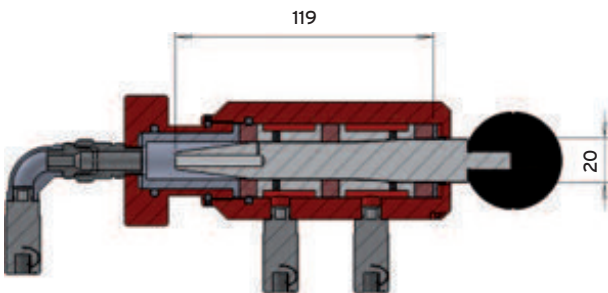
# PZ-0199 LEARJET 2 PS 1 PT

## LEARJET SINGLE DYNAMIC AND DUAL STATIC PORT ADAPTOR

This adaptor is ideally designed for small triple static ports configuration, when it is not possible to fit three independant adaptors.



### ADJUSTMENT SIZES



### PT CONNECTOR OPTION

<b>STRD</b>	STAUBLI/TST RBE 03	with • RED CODE
<b>AN3M</b>	AN3 male (JIC 37-74 ANGLE)	with O-Ring
<b>AN4M</b>	AN4 male (JIC 37-74 ANGLE)	with O-Ring

### PS CONNECTOR OPTION

<b>STBK</b>	STAUBLI/TST RBE 03	with • BLACK CODE
<b>AN4M</b>	AN4 male (JIC 37-74 ANGLE)	with O-Ring
<b>AN6M</b>	AN6 male (JIC 37-74 ANGLE)	with O-Ring

### HOW TO ORDER

PZ-0199-A- **STRD** - **STBK**

PS PORT CONNECTOR SIZE  
PT PORT CONNECTOR SIZE

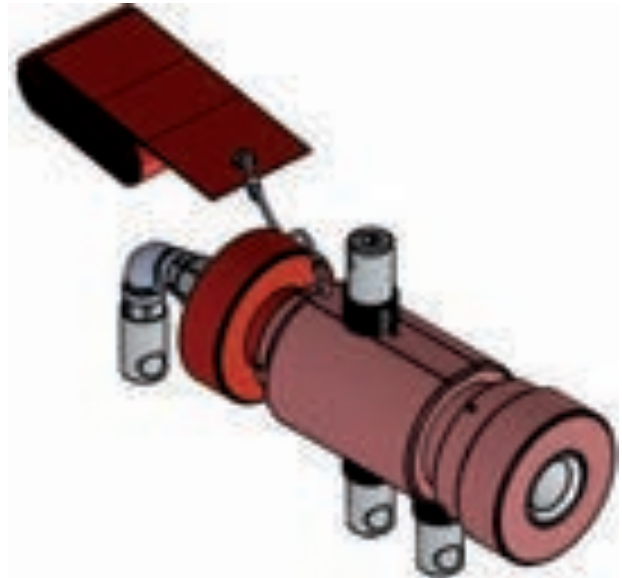
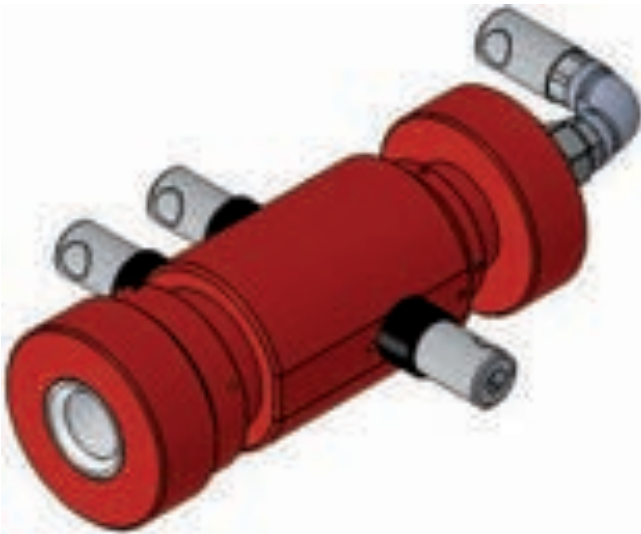
**PZ-0199-A-SEAL REPLACEMENT KIT** contains :

- 4x 20mm inside diameter seals

# PZ-0200 PHENOM300 SMART PROBE

## PHENOM300 SINGLE PT PORT - DUAL AOA AND STATIC PORT ADAPTOR

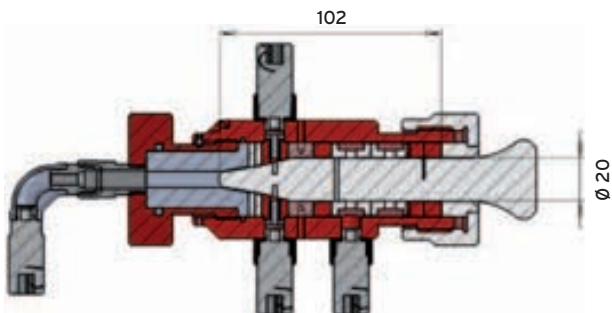
This adaptor is ideally designed for EMBRAER PHENOM300 SMART probe with integrated static AOA and dynamic ports.



### PT CONNECTOR OPTION

- |             |                            |                 |
|-------------|----------------------------|-----------------|
| <b>STRD</b> | STAUBLI/TST RBE 03         | with • RED CODE |
| <b>AN3M</b> | AN3 male (JIC 37-74 ANGLE) | with O-Ring     |
| <b>AN4M</b> | AN4 male (JIC 37-74 ANGLE) | with O-Ring     |

### ADJUSTMENT SIZES



### PS CONNECTOR OPTION

- |             |                            |                   |
|-------------|----------------------------|-------------------|
| <b>STBK</b> | STAUBLI/TST RBE 03         | with • BLACK CODE |
| <b>AN4M</b> | AN4 male (JIC 37-74 ANGLE) | with O-Ring       |
| <b>AN6M</b> | AN6 male (JIC 37-74 ANGLE) | with O-Ring       |

### AOA CONNECTOR OPTION

- |             |                            |                   |
|-------------|----------------------------|-------------------|
| <b>STGN</b> | STAUBLI/TST RBE 03         | with • GREEN CODE |
| <b>AN4M</b> | AN4 male (JIC 37-74 ANGLE) | with O-Ring       |
| <b>AN6M</b> | AN6 male (JIC 37-74 ANGLE) | with O-Ring       |

### HOW TO ORDER

PZ-0200-A- **STDR** - **STBK** - **STGN**



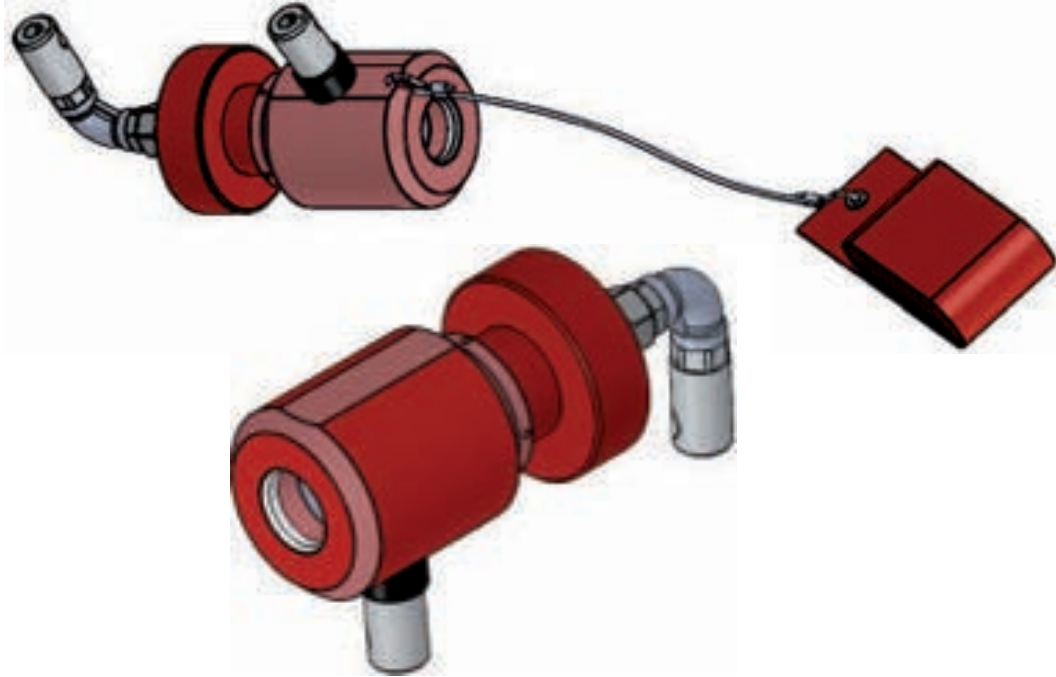
**PZ-0221-A-SEAL REPLACEMENT KIT** contains :

- 4x seals

# PZ-0203 PHENOM300 STDBY PROBE

## PHENOM300 STBY COMBINED DYNAMIC AND STATIC PORT ADAPTOR

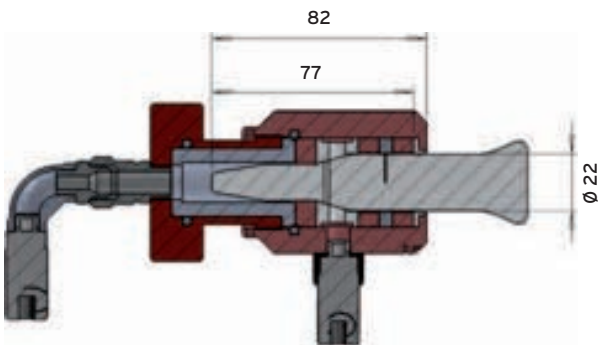
This adaptor is ideally designed for EMBRAER PHENOM300 standby probe.



### PT CONNECTOR OPTION

<b>STRD</b>	STAUBLI/TST RBE 03	with ● RED CODE
<b>AN3M</b>	AN3 male (JIC 37-74 ANGLE)	with O-Ring
<b>AN4M</b>	AN4 male (JIC 37-74 ANGLE)	with O-Ring

### ADJUSTMENT SIZES



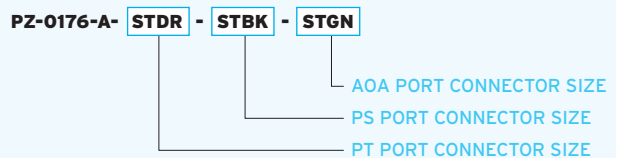
### PS CONNECTOR OPTION

<b>STBK</b>	STAUBLI/TST RBE 03	with ● BLACK CODE
<b>AN4M</b>	AN4 male (JIC 37-74 ANGLE)	with O-Ring
<b>AN6M</b>	AN6 male (JIC 37-74 ANGLE)	with O-Ring

### AOA CONNECTOR OPTION

<b>STGN</b>	STAUBLI/TST RBE 03	with ● GREEN CODE
<b>AN4M</b>	AN4 male (JIC 37-74 ANGLE)	with O-Ring
<b>AN6M</b>	AN6 male (JIC 37-74 ANGLE)	with O-Ring

### HOW TO ORDER



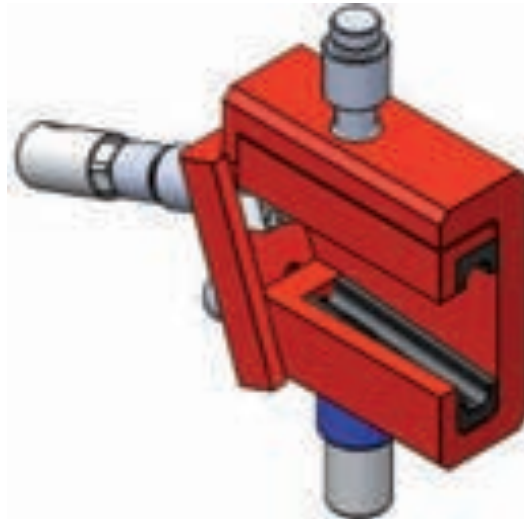
### PZ-0176-A-SEAL REPLACEMENT KIT contains :

- 1 of each special seals in this connector

# PZ-0216 PIPER SQUALE WING PROBE

## PIPER "SQUALE WING" DYNAMIC AND STATIC PORT ADAPTOR

This adaptor is ideally designed for PIPER "SQUALE WING" combined static and dynamic ports.



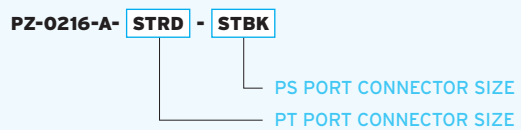
### PT CONNECTOR OPTION

<b>STRD</b>	STAUBLI/TST RBE 03	with • RED CODE
<b>AN3M</b>	AN3 male (JIC 37-74 ANGLE)	with O-Ring
<b>AN4M</b>	AN4 male (JIC 37-74 ANGLE)	with O-Ring

### PS CONNECTOR OPTION

<b>STBK</b>	STAUBLI/TST RBE 03	with • BLACK CODE
<b>AN4M</b>	AN4 male (JIC 37-74 ANGLE)	with O-Ring
<b>AN6M</b>	AN6 male (JIC 37-74 ANGLE)	with O-Ring

### HOW TO ORDER



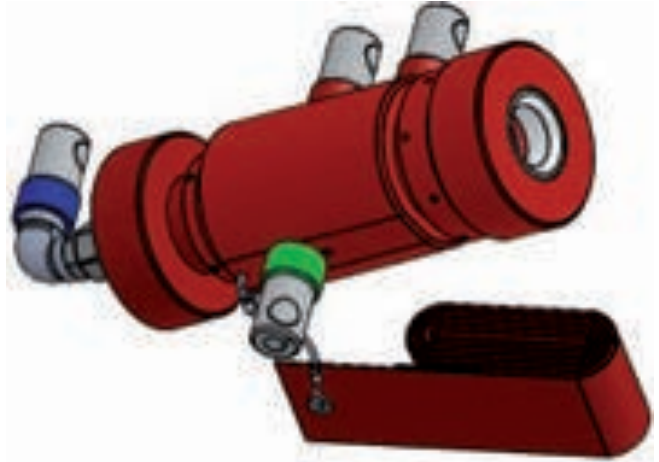
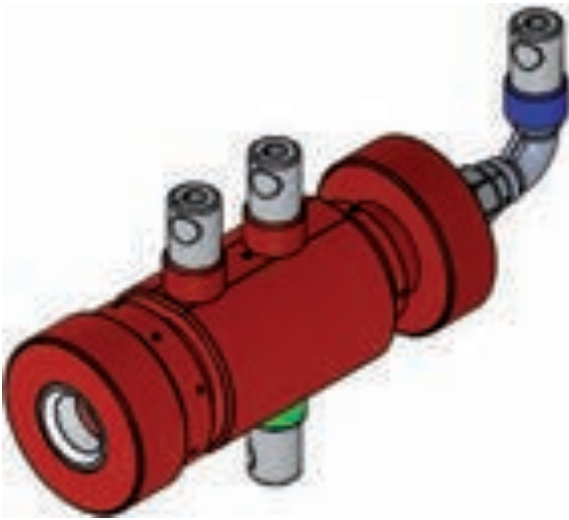
**PZ-0216-A-SEAL REPLACEMENT KIT** contains :

- 3x seals

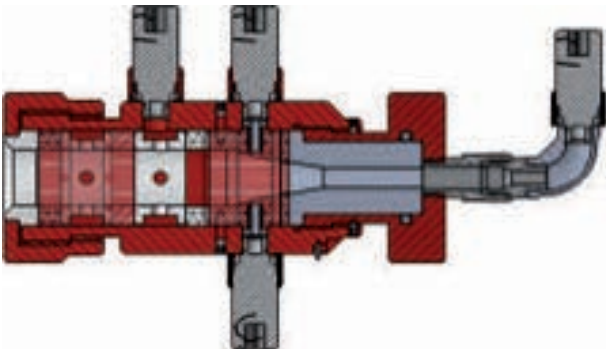
# PZ-0218 LEGACY500 SMART PROBE

## LEGACY500 - DYNAMIC PORT - AOA PORTS - STATIC PORT ADAPTOR

This adaptor is ideally designed for EMBRAER LEGACY500 smart probes.



### ADJUSTMENT SIZES



### PT CONNECTOR OPTION

<b>STRD</b>	STAUBLI/TST RBE 03	with • RED CODE
<b>AN3M</b>	AN3 male (JIC 37-74 ANGLE)	with O-Ring
<b>AN4M</b>	AN4 male (JIC 37-74 ANGLE)	with O-Ring

### PS CONNECTOR OPTION

<b>STBK</b>	STAUBLI/TST RBE 03	with • BLACK CODE
<b>AN4M</b>	AN4 male (JIC 37-74 ANGLE)	with O-Ring
<b>AN6M</b>	AN6 male (JIC 37-74 ANGLE)	with O-Ring

### AOA CONNECTOR OPTION

<b>STGN</b>	STAUBLI/TST RBE 03	with • GREEN CODE
<b>AN4M</b>	AN4 male (JIC 37-74 ANGLE)	with O-Ring
<b>AN6M</b>	AN6 male (JIC 37-74 ANGLE)	with O-Ring

### HOW TO ORDER

PZ-0218-A- **STDR** - **STBK** - **STGN**



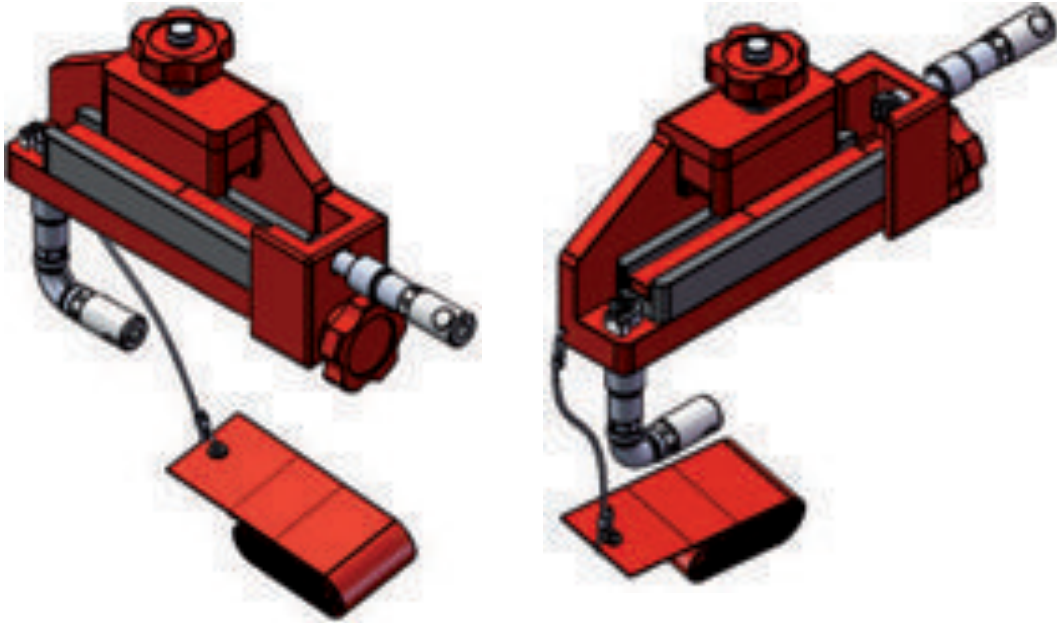
**PZ-0218-A-SEAL REPLACEMENT KIT** contains :

- 5 of each special seals

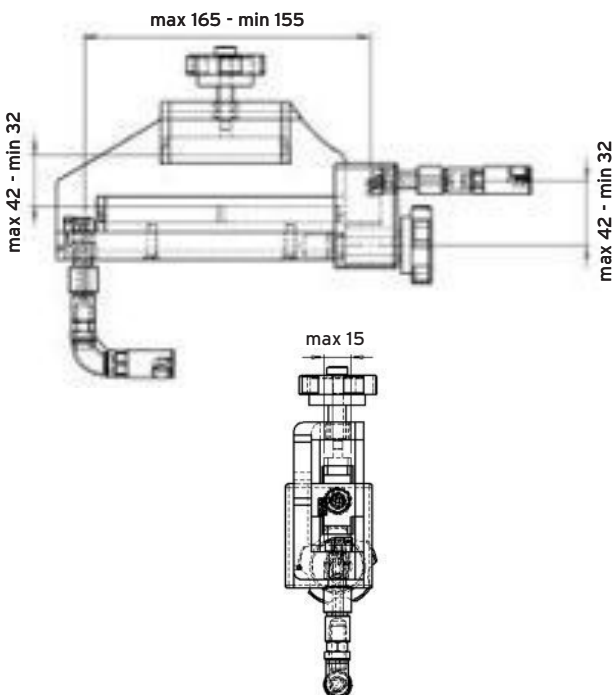
# PZ-0225 BELL ROOF PS PT PROBE

## BELL HELICOPTER STATIC AND DYNAMIC PORT ADAPTOR

This adaptor is ideally designed for BELL helicopter combined static and dynamic ports.



### ADJUSTMENT SIZES



### PT CONNECTOR OPTION

<b>STRD</b>	STAUBLI/TST RBE 03	with • RED CODE
<b>AN3M</b>	AN3 male (JIC 37-74 ANGLE)	with O-Ring
<b>AN4M</b>	AN4 male (JIC 37-74 ANGLE)	with O-Ring

### PS CONNECTOR OPTION

<b>STBK</b>	STAUBLI/TST RBE 03	with • BLACK CODE
<b>AN4M</b>	AN4 male (JIC 37-74 ANGLE)	with O-Ring
<b>AN6M</b>	AN6 male (JIC 37-74 ANGLE)	with O-Ring

### HOW TO ORDER

PZ-0225-A- **STRD** - **STBK**

— PS PORT CONNECTOR SIZE  
— PT PORT CONNECTOR SIZE

**PZ-0225-A-SEAL REPLACEMENT KIT** contains :

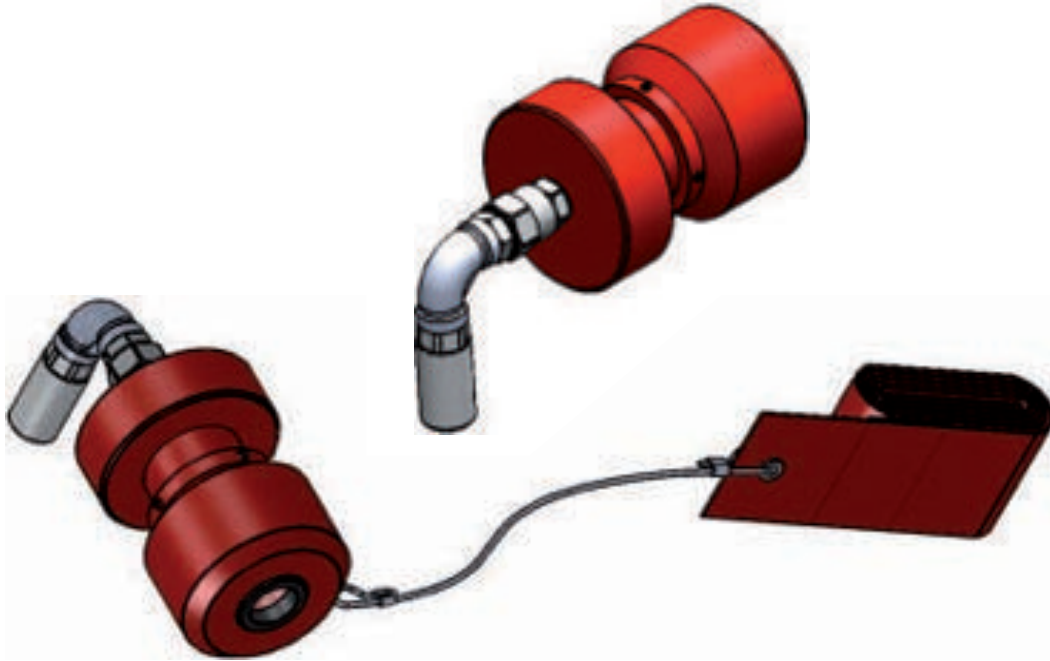
- 3x seals



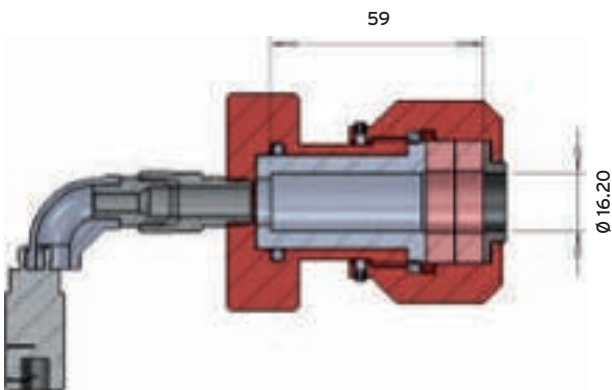
# PZ-0226 A380 SINGLE PT 14-16MM

## A380 SINGLE DYNAMIC PORT ADAPTOR 14-16MM DIAMETER RANGE

This adaptor is ideally designed for single PITOT tube dynamic port configuration 14-16mm diameter range.



### ADJUSTMENT SIZES



### PT CONNECTOR OPTION

<b>STRD</b>	STAUBLI/TST RBE 03	with • RED CODE
<b>AN3M</b>	AN3 male (JIC 37-74 ANGLE)	with O-Ring
<b>AN4M</b>	AN4 male (JIC 37-74 ANGLE)	with O-Ring

### HOW TO ORDER

**PZ-0226-A-** STRD

PT PORT CONNECTOR SIZE

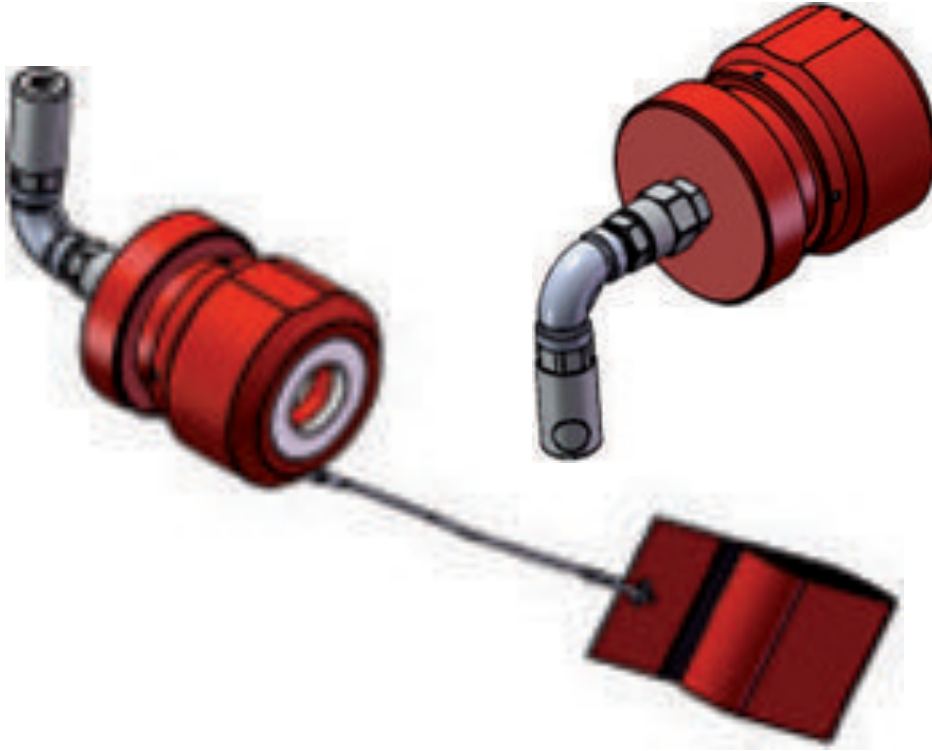
**PZ-0152-A-SEAL REPLACEMENT KIT** contains :

- 2x 16mm inside diameter seals

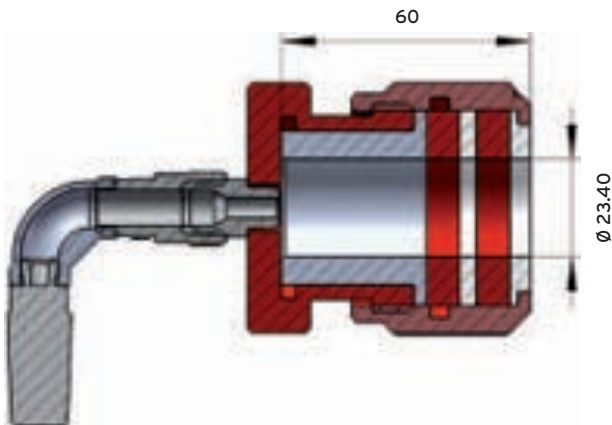
# PZ-0235 SINGLE PT 23

## PT ADAPTOR DIA.23

This adaptor is ideally designed for PITOT tubes dynamic port connection 23 diameter range.



### ADJUSTMENT SIZES



### PT CONNECTOR OPTION

<b>STRD</b>	STAUBLI/TST RBE 03	with • RED CODE
<b>AN3M</b>	AN3 male (JIC 37-74 ANGLE)	with O-Ring
<b>AN4M</b>	AN4 male (JIC 37-74 ANGLE)	with O-Ring

### HOW TO ORDER

**PZ-0235-A-** STRD

PT PORT CONNECTOR SIZE

### PZ-0235-A-SEAL REPLACEMENT KIT contains :

- 2x 23mm inside diameter seals

# MB-0191 TARMAC ADAPTOR BOX

## TARMAC ADAPTORS CARRYING CASE

This case is ideally adapted to carry pitot/static adaptors, hoses and accessories on the tarmac or in the hangar next to the plane or the helicopter to be tested or calibrated.

Side handles can be fitted if the case has to be carried on board trucks or planes.

An option with 3 rubber blocks can be fitted on top to locate an ADSE743 CALIBRATOR.



### COLORS



**LY** Luminous Yellow for maximum visibility

Pantone 123



**OY** Orange Yellow to match ADSE743 case colour

ADSE743



**RD** Red

Pantone 180



**GN** Military Green

Pantone 5467

### HOW TO ORDER

PZ-0191-A- **LY** - **3RBK**

3 RUBBER BLOCS FOR ADSE743  
COLOUR

# MB-0166-0207 PINCES DRAINS

ATR/AIRBUS PITOT TUBE DRAIN HOLE PLUG 10-12MM DIAMETER RANGE

This adaptor is ideally designed as a PITOT tube drain hole plug.



## ADJUSTMENT SIZES



## HOW TO ORDER

**PZ-0166-A** 12mm PADS FOR ATR

**PZ-0207-A** 16mm PADS FOR AIRBUS

**MZ-0166-A-SEAL REPLACEMENT KIT** contains :

- 2x 12mm inside diameter seals

**MZ-0207-A-SEAL REPLACEMENT KIT** contains :

- 2x 16mm inside diameter seals

THIS ADAPTER CAN ALSO BE MANUFACTURED

for 12-14mm PITOT TUBE DIAMETER

## MB-0211 SAFETY VAC CLAMP 46MM

### SAFETY CLAMP FOR VACUUM PS ADAPTORS 46MM DIAMETER

This clamp is ideally designed as a safety device to protect operators and adaptors in case of improper use of the vacuum generator.



## MB-0212 SAFETY VAC CLAMP 122MM

### SAFETY CLAMP FOR VACUUM PS ADAPTORS 122MM DIAMETER

This clamp is ideally designed as a safety device to protect operators and adaptors in case of improper use of the vacuum generator.



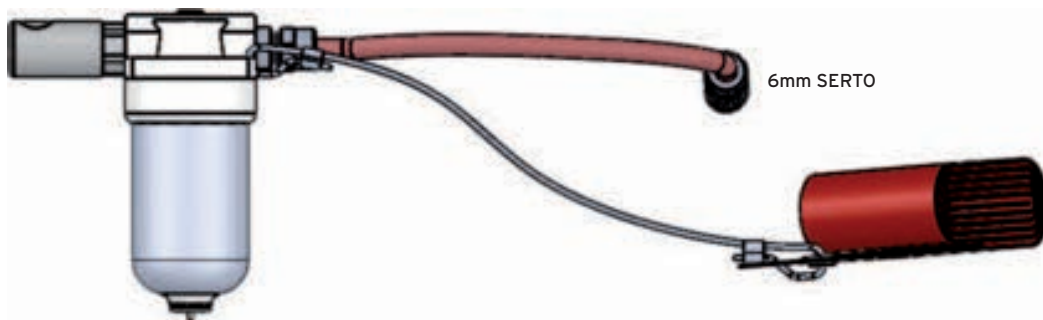
# MZ DRAIN EUROCOPTER

## EUROCOTER DRAIN PORT STATIC ADAPTOR

This adaptor is ideally designed to connect the calibrator static port hose to the static drain port.



### ADJUSTMENT SIZES



### HOW TO ORDER

**MZ-0166-A**

# P6 HOSES

## CONNECTION HOSES FOR PS AND PT PORTS ADAPTORS

These hoses are ideally designed for dynamic and static ports connection, they are flexible, pressure and vacuum compatible and have exceptional abrasion resistance.



### HOSE LENGTH (in M.)

- L1**
- L2**
- L5**
- L10**
- L15**

### HOSE COLOR OPTION

- BK**      ● BLACK
- BU**      ● BLUE
- YE**      ● YELLOW
- RD**      ● RED
- GR**      ● GREEN

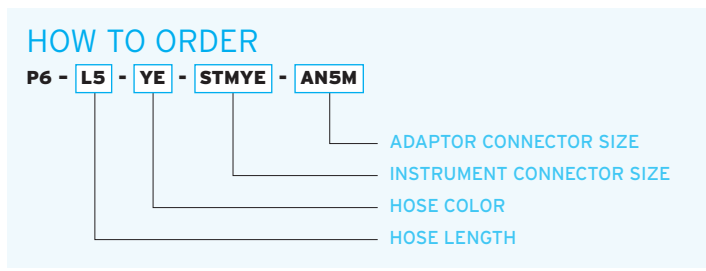
### CALIBRATION INSTRUMENT PORT CONNECTOR OPTION

- |              |                    |                    |
|--------------|--------------------|--------------------|
| <b>STMBK</b> | STAUBLI/TST RBE 03 | with ● BLACK CODE  |
| <b>STMRD</b> | STAUBLI/TST RBE 03 | with ● RED CODE    |
| <b>STMGN</b> | STAUBLI/TST RBE 03 | with ● GREEN CODE  |
| <b>STMBU</b> | STAUBLI/TST RBE 03 | with ● BLUE CODE   |
| <b>STMYE</b> | STAUBLI/TST RBE 03 | with ● YELLOW CODE |
| <b>AN3F</b>  | AN3 Female         | (JIC 37-74 ANGLE)  |
| <b>AN4F</b>  | AN4 Female         | (JIC 37-74 ANGLE)  |
| <b>AN5F</b>  | AN5 Female         | (JIC 37-74 ANGLE)  |
| <b>AN6F</b>  | AN6 Female         | (JIC 37-74 ANGLE)  |

In order to simplify operation of the adaptors the recommended colors are BLUE for PT, RED for PS and associated AOA port, GREEN for the differential AOA port and YELLOW (with quick or AN5 connectors) for VACCUM suction cups. Quick connectors are also recommended for all new applications.

### ADAPTOR PORT CONNECTOR OPTION

- |              |                    |                    |
|--------------|--------------------|--------------------|
| <b>STMBK</b> | STAUBLI/TST RBE 03 | with ● BLACK CODE  |
| <b>STMRD</b> | STAUBLI/TST RBE 03 | with ● RED CODE    |
| <b>STMGN</b> | STAUBLI/TST RBE 03 | with ● GREEN CODE  |
| <b>STMBU</b> | STAUBLI/TST RBE 03 | with ● BLUE CODE   |
| <b>STMYE</b> | STAUBLI/TST RBE 03 | with ● YELLOW CODE |
| <b>AN3F</b>  | AN3 Female         | (JIC 37-74 ANGLE)  |
| <b>AN4F</b>  | AN4 Female         | (JIC 37-74 ANGLE)  |
| <b>AN5F</b>  | AN5 Female         | (JIC 37-74 ANGLE)  |
| <b>AN6F</b>  | AN6 Female         | (JIC 37-74 ANGLE)  |



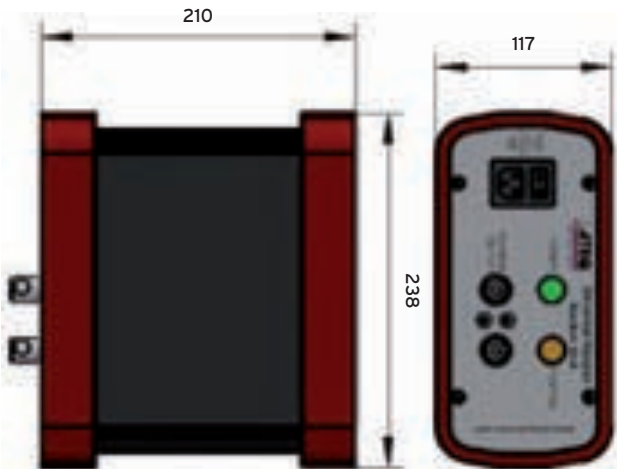
# PZ-0159 STATIC VAC GENERATOR BOX

## VACUUM GENERATOR FOR UNIVERAL STATIC ADAPTORS

This generator is ideally designed to drive up to 4 vacuum static adaptors.  
Mains supply 100-240VAC 50-60Hz.



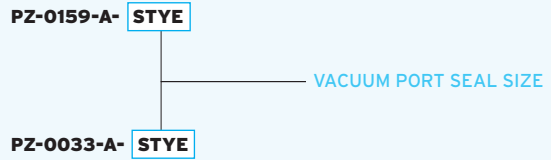
### ADJUSTMENT SIZES



### VACCUM CONNECTOR OPTION

<b>STYE</b>	STAUBLI/TST RBE 03	with • YELLOW CODE
<b>AN5M</b>	AN5 male (JIC 37-74 ANGLE)	with O-RING

### HOW TO ORDER



### KIT INCLUDING:

- 1 Vacuum generator
- 2x 5m Hoses
- Mains Cable (Specify Country)
- Yellow Plastic Sealed Case

**LOW VOLTAGE (12V, 24V, 32V)** exists, contact us.



# PZ-0219 4 SMART PROBES MANIFOLD

## FOUR SMART PROBES CONNECTION MANIFOLD WITH SLIDING VALVES



This manifold can connect four smart probes to a conventional calibration instrument. Sliding valves isolate each pressure line to do individual calibration or leak tests. Both AOA sides are connected, one of them linked to the Ps port.

This unit is delivered in a yellow sealed plastic case including the connection tubes for 4 smart probes.

### TUBES KIT contains :

- 3x 2meters calibrator connection tubes
  - 16x 5meters smart probes connection tubes
- Please specify calibrator and probes connection sizes

### PS CONNECTOR OPTION

<b>STFBK</b>	STAUBLI/TST RBE 03	with • BLACK CODE
<b>AN4M</b>	AN4 male (JIC 37-74 ANGLE)	with O-Ring
<b>AN6M</b>	AN6 male (JIC 37-74 ANGLE)	with O-Ring

### PT CONNECTOR OPTION

<b>STFRD</b>	STAUBLI/TST RBE 03	with • RED CODE
<b>AN3M</b>	AN3 male (JIC 37-74 ANGLE)	with O-Ring
<b>AN4M</b>	AN4 male (JIC 37-74 ANGLE)	with O-Ring

### AOA CONNECTOR OPTION

<b>STFGN</b>	STAUBLI/TST RBE 03	with • GREEN CODE
<b>AN4M</b>	AN4 male (JIC 37-74 ANGLE)	with O-Ring
<b>AN6M</b>	AN6 male (JIC 37-74 ANGLE)	with O-Ring

### HOW TO ORDER

