

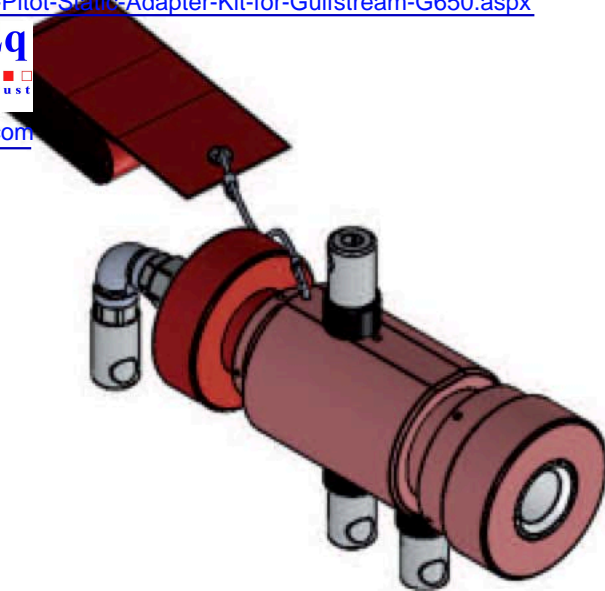
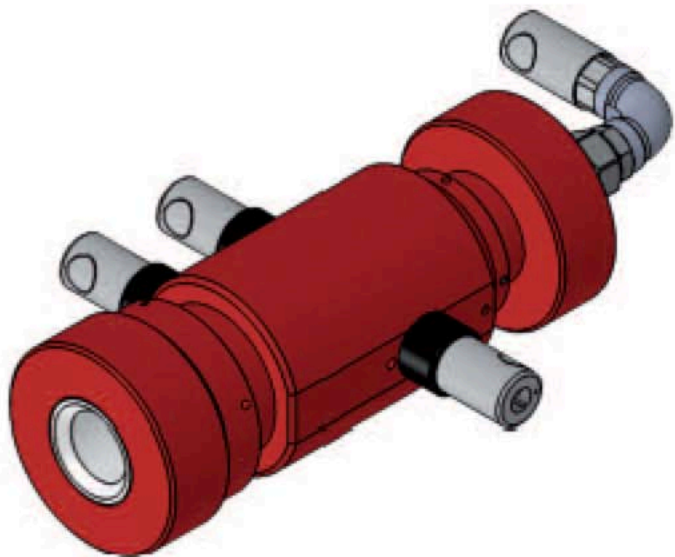
To buy, sell, rent or trade-in this product please click on the link below:

<http://www.avionteq.com/ATEQ-Omicron-PA-0035-A-Air-Data-Pitot-Static-Adapter-Kit-for-Gulfstream-G650.aspx>

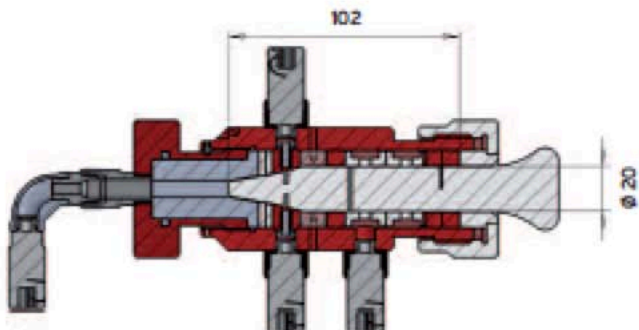
**AvionTEq**

Test with full trust

[www.avionteq.com](http://www.avionteq.com)



## ADJUSTMENT SIZES



## PT CONNECTOR OPTION

<b>STRD</b>	STAUBLI/TST RBE 03	with • RED CODE
<b>AN3M</b>	AN3 male (JIC 37-74 ANGLE)	with O-Ring
<b>AN4M</b>	AN4 male (JIC 37-74 ANGLE)	with O-Ring

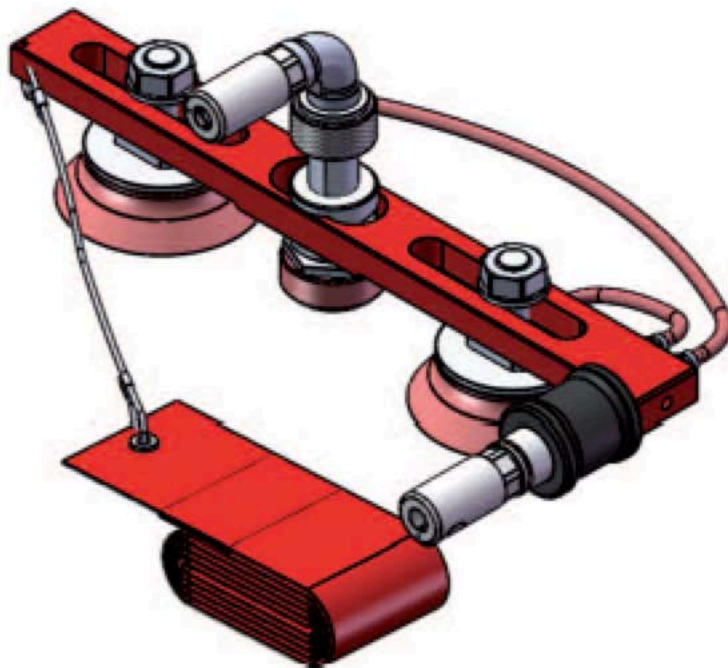
## PS CONNECTOR OPTION

<b>STBK</b>	STAUBLI/TST RBE 03	with • BLACK CODE
<b>AN4M</b>	AN4 male (JIC 37-74 ANGLE)	with O-Ring
<b>AN6M</b>	AN6 male (JIC 37-74 ANGLE)	with O-Ring

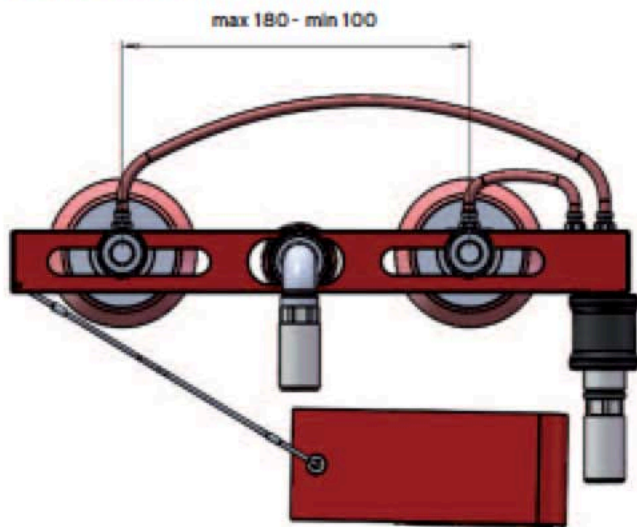
## AOA CONNECTOR OPTION

<b>STGN</b>	STAUBLI/TST RBE 03	with • GREEN CODE
<b>AN4M</b>	AN4 male (JIC 37-74 ANGLE)	with O-Ring
<b>AN6M</b>	AN6 male (JIC 37-74 ANGLE)	with O-Ring

## HOW TO ORDER



## ADJUSTMENT SIZES



## PS CONNECTOR OPTION

<b>STBK</b>	STAUBLI/TST RBE 03	with • BLACK CODE
<b>STRD</b>	STAUBLI/TST RBE 03	with • RED CODE
<b>AN4M</b>	AN4 male (JIC 37-74 ANGLE)	with O-Ring
<b>AN6M</b>	AN6 male (JIC 37-74 ANGLE)	with O-Ring

## VACCUM CONNECTOR OPTION

<b>STYE</b>	STAUBLI/TST RBE 03	with • YELLOW CODE
<b>AN5M</b>	AN5 male (JIC 37-74 ANGLE)	with O-RING

## HOW TO ORDER

PZ-0201-A- **DOB** - **STBK** - **STYE**

VACCUM CONNECTOR SIZE  
PS PORT CONNECTOR SIZE  
PS PORT SEAL SIZE