

ATEQ-Omicron ADSE643

AEA2012 - NPI

ADSE 643
Air Data Test Set

Air Data Support Equipment : ADSE

- Today's RVSM Pitot Static Testers :
 - Expensive piece of equipment
 - Ease of use not always there
- One tester is missing on this market



Air Data Support Equipment : ADSE

- Today's RVSM Pitot Static Testers :
 - Expensive piece of equipment
 - Ease of use not always there
- One tester is missing on this market

 **RVSM**

Air Data Support Equipment : ADSE

- Today's RVSM Pitot Static Testers :
 - Expensive piece of equipment
 - Ease of use not always there
- One tester is missing on this market

 RVSM

 AFFORDABLE

Air Data Support Equipment : ADSE

- Today's RVSM Pitot Static Testers :
 - Expensive piece of equipment
 - Ease of use not always there
- One tester is missing on this market

 RVSM

 AFFORDABLE

 CONVENIENT

THE ADSE643

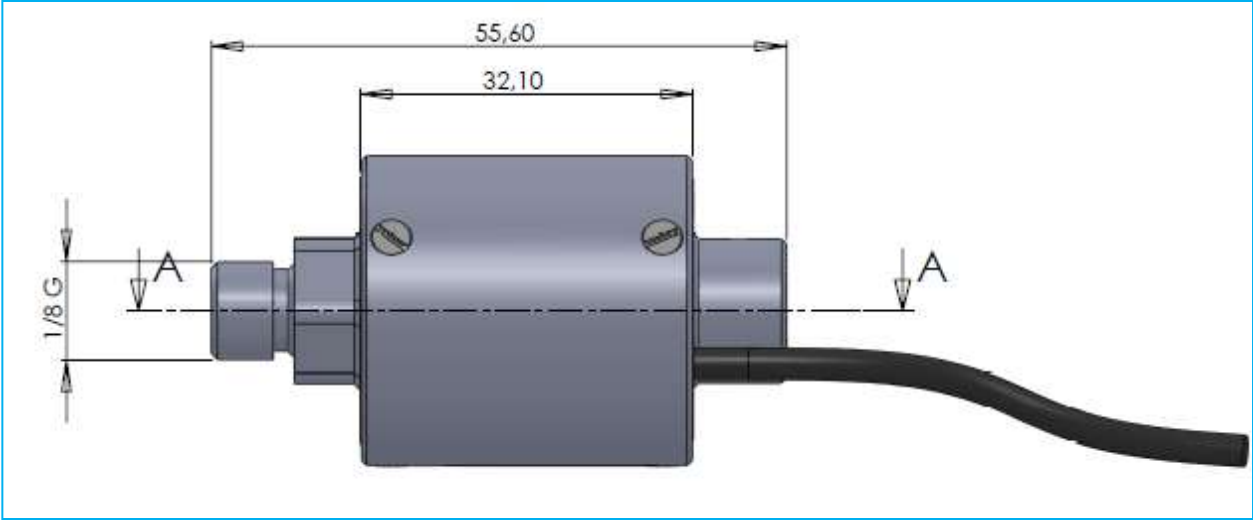


50,000ft – 650kts – 6,000ft/min

The ADSE643 – Technical Features

RVSM with a 0,01% accuracy

TAPT Sensor



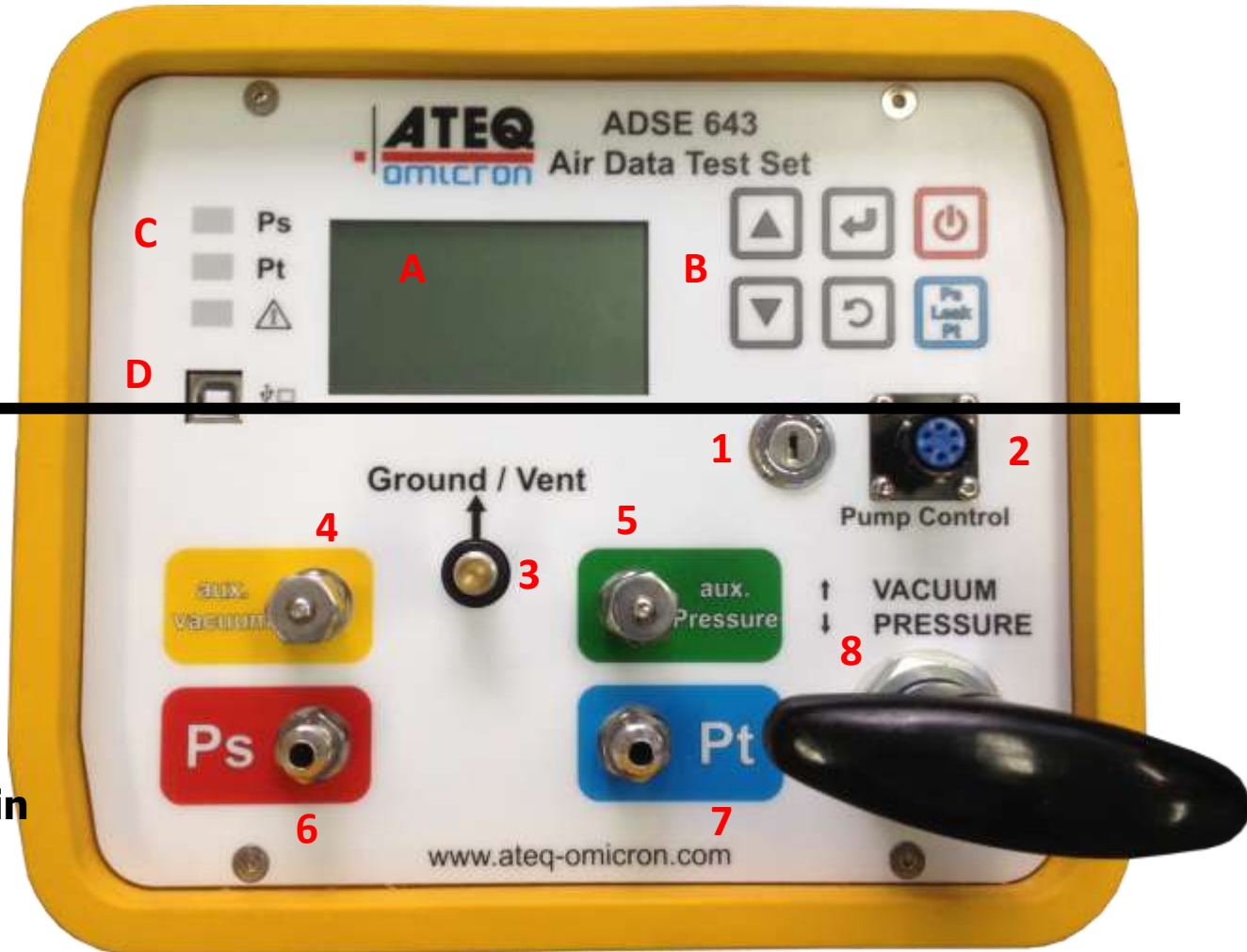
The ADSE643 – Technical Features

CONTROL

- A- LCD Screen
- B- Parameters Input
- C - LED Channel Indication
- D - USB Out for Saved Data

PNEUMATIC

- 1 - Key Security
- 2 - Pump Control
- 3 - Ground Vent
- 4 - Aux Vacuum
- 5 - Aux Pressure
- 6 - **Ps Channel : 50,000ft**
- Rate of Climb : 6,000ft/min**
- 7 - **Pt Channel : 650kts**
- 8 - Manual Pump



The ADSE643 – Special Features

- **Battery operated...**

- Choice AC or Battery
- 2 batteries provided
- Manual Pump : 2x 6hours = 12 hours !
- Automatic Pump (opt.) = still 4hours !

- **...but still Extra Light**

- 12 lbs



The ADSE643 – Sum Up & Price

50,000ft

650kts

6,000ft/min



The ADSE643 – Sum Up & Price

50,000ft

650kts

6,000ft/min

RVSM – 0,01% Acc.

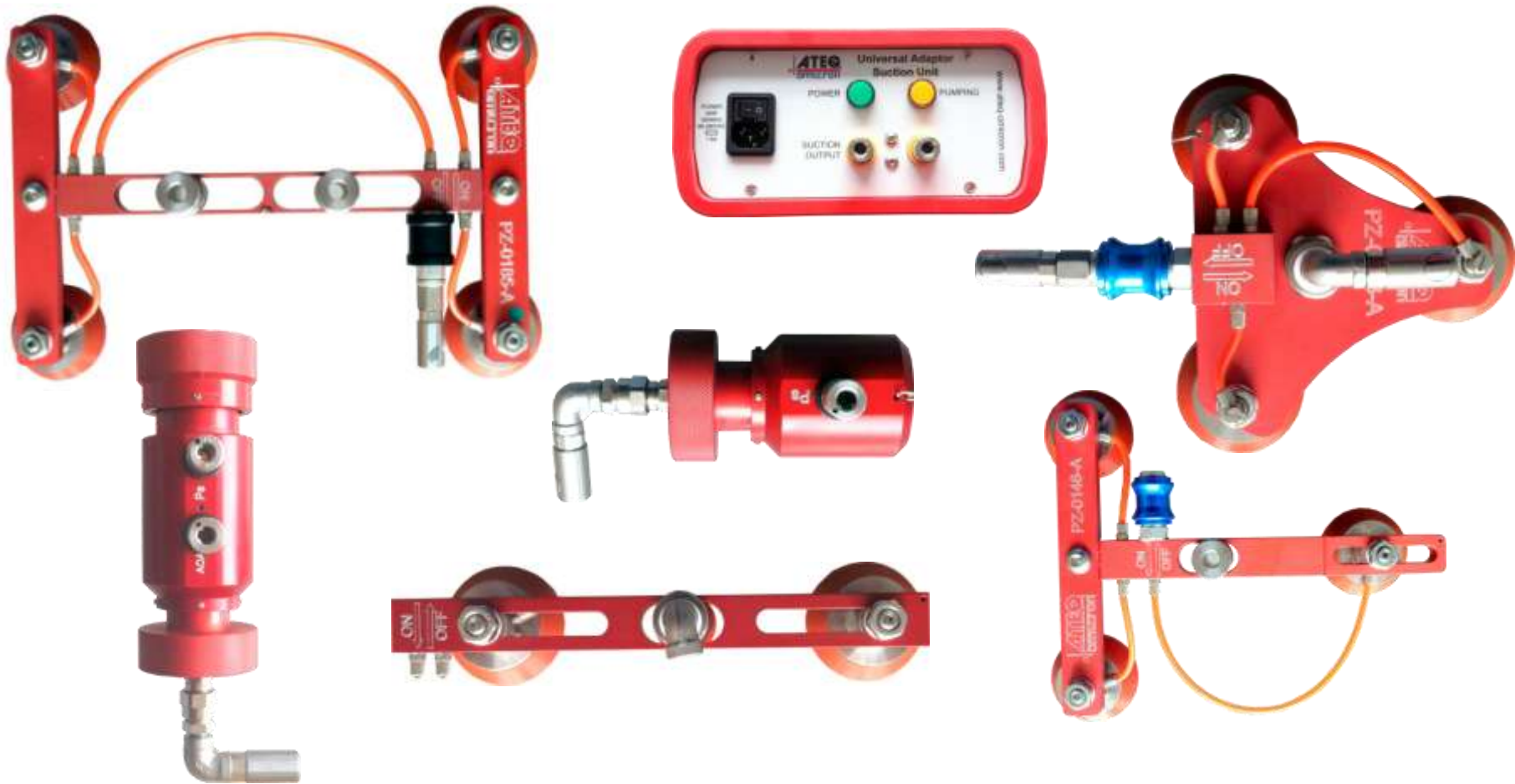
Thermo-regulated

12 pounds

12 hours autonomy



Universal Pitot Static Adapters



Thank you!



Available in June 2012
Pre-order !



Booth #331 for Demo !

