

SERVICE BULLETIN

GENERAL SERVICE BULLETIN No. 3, Revision No. 4
MODIFICATION TAGS
ATC-1400, ATC-1400A, S-1403, S-1403C & S-1403DL TEST SETS

I. PLANNING INFORMATION:

A. Effectivity:

Any Test Set having a modification or configuration different from the initial factory Test Set.

CAUTION: THIS SERVICE BULLETIN DOES NOT APPLY TO SAFETY AND EMC COMPLIANT ATC-1400A TEST SETS (ATC-1400A-2). REFER ALL SERVICING OF ATC-1400A-2 TEST SETS TO FACTORY AUTHORIZED SERVICE TECHNICIANS.

B. Reason:

To provide a visible and easier identification of what modifications are incorporated into each particular Test Set.

C. Description:

A Modification Tag indicates, with number codes, the incorporated hardware and firmware modifications.

D. Manpower:

An estimated five minutes are required to apply and mark the Modification Tag. The time to verify modifications varies.

E. Material - Cost and Availability:

One Modification Tag is required for each modified Test Set. Information and Modification Tags may be obtained from the factory Customer Service Department. All orders should specify the IFR part number and reference General Service Bulletin No. 3.

CONTACT: IFR Systems, Inc.
Customer Service Dept.
10200 West York Street
Wichita, Kansas 67215

Telephone: 800-835-2350
FAX: 316-524-2623

F. Tooling Required - Price and Availability:

None.

G. References:

(1) Other Service Bulletins:

Refer to Table 1, 2, 3, 4 or 5.

(2) Other Publications:

Refer to Table 1, 2, 3, 4 or 5 for references to manual supplements.

SERVICE BULLETIN

I. PLANNING INFORMATION:

H. Special Tools Required:

None.

II. ACCOMPLISHMENT INSTRUCTIONS:

A. Disassembly:

PC Board removal is required to verify Firmware Versions.



ATC-1400 or ATC-1400A (Refer to Figure 2.)

STEP	PROCEDURE
1.	Remove external power from ATC-1400(A).
2.	Loosen two captive screws (1) or remove 12 screws (ATC-1400A-1) securing Card Cage Module cover (2).
3.	Remove two shell nuts (3).
4.	Remove Card Cage Module cover (2).
5.	Pull PC board ejector to remove Microprocessor PC Board Assembly (4) from ATC-1400(A).

S-1403 or S-1403C (Refer to Figure 4.)

STEP	PROCEDURE
1.	Apply power to S-1403(C).
2.	Mark down Processor Firmware version number from the Display, shown for a few seconds during power-up.
3.	Remove power from S-1403(C).
4.	Remove two top cover screws (2) or 12 top cover screws (2) (S-1403C-1) and two bracket screws (4).
5.	Lift top cover (1) with top mounting bracket (5) from Chassis Assembly (4).

S-1403DL

No disassembly is required.

SERVICE BULLETIN

II. ACCOMPLISHMENT INSTRUCTIONS:

B. Rework:

STEP	PROCEDURE
1.	Peel off the backing from the Modification Tag and apply the Modification Tag to the rear right corner (Test Set facing technician) on the top of the Test Set.
2.	Verify the modifications incorporated in the Test Set. Verify Firmware Versions as follows: ATC-1400 or ATC-1400A (Refer to Figure 3.) Refer to Figure 3 and verify the version number on the EPROM (1) located on the Microprocessor PC Board Assembly (2). S-1403 or S-1403C Refer to Figure 5 and verify the version number on the EPROM (1) located on the Pulse PC Board Assembly (2). S-1403DL Apply power to S-1403DL. Press C MENU, 8 and 9 Keys in sequence to display System Version Screen. Verify version numbers with Table 5.
3.	Refer to Table 1, 2, 3, 4 or 5 to determine the applicable number codes.
4.	Use a red permanent marker to mark out the applicable codes on the Modification Tag.

C. Reassembly:


Reassemble in reverse order of disassembly instructions listed in paragraph IIA.

D. Testing:

None.

III. MATERIAL INFORMATION:

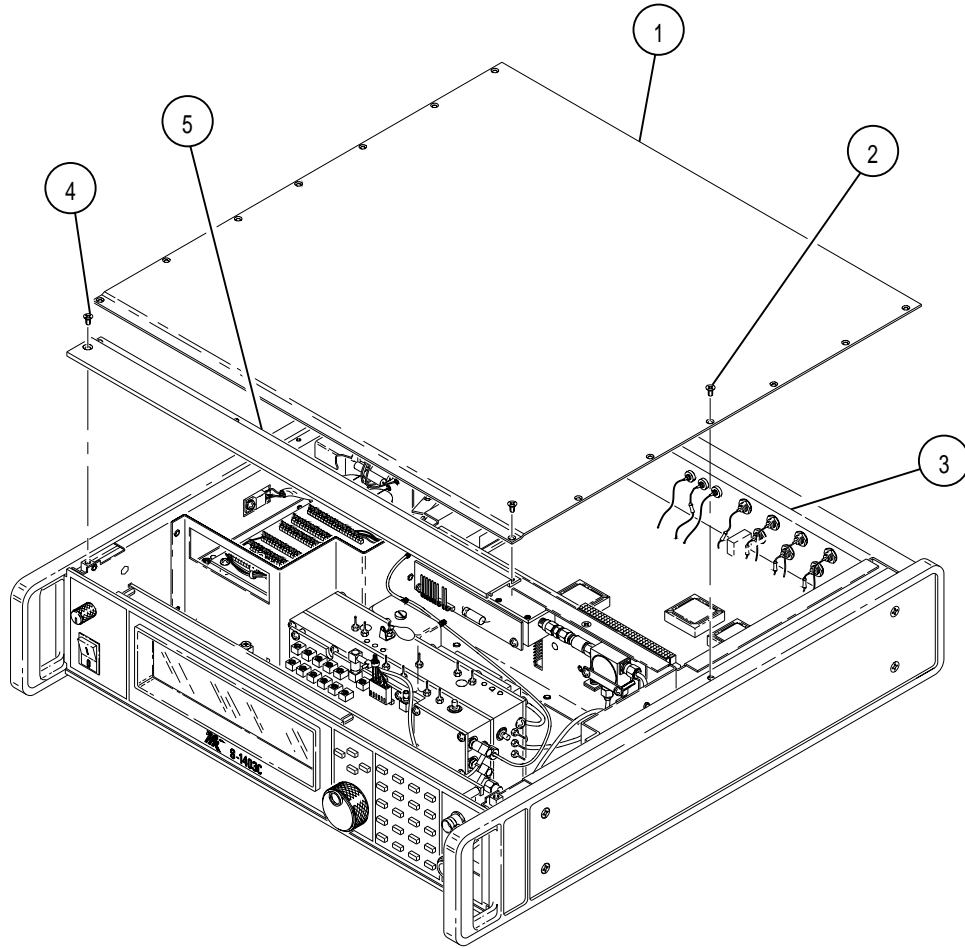
One Modification Tag (2400-9908-000) is required for one Test Set.

		Firmware	Hardware
1 2 3 4 5 6 7 8 9 10 11	1 2 3 4 5 6 7 8 9 10		
12 13 14 15 16 17 18 19	11 12 13 14 15 16 17		
20 21 22 23 24 25 26 27	18 19 20 21 22 23 24		
28 29 30 31 32 33 34 35	25 26 27 28 29 30 31		

Modification Tag
Figure 1

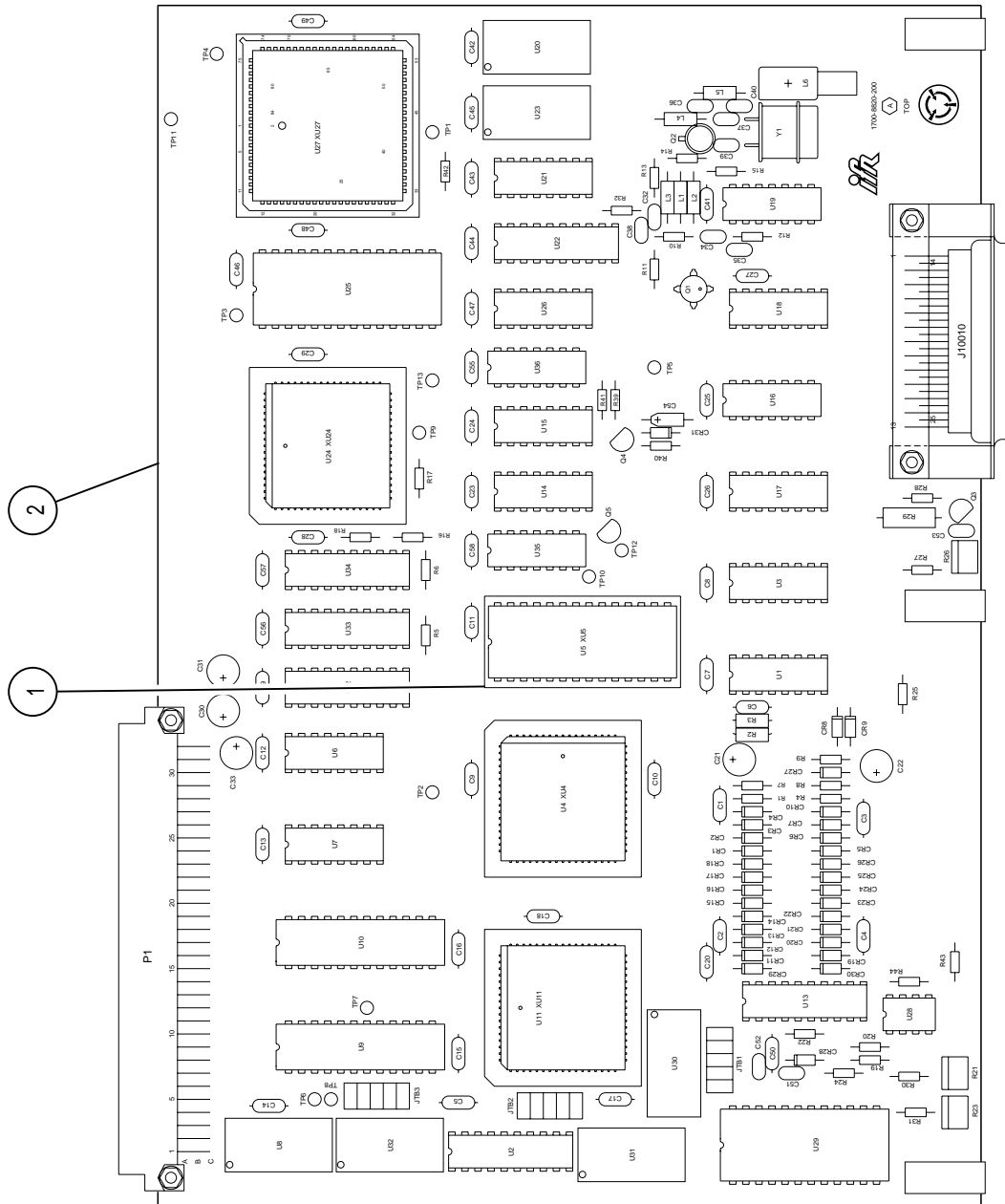
ATC-1400(A) Rear Panel
Figure 2

ATC-1400(A) Microprocessor PC Board Assembly
Figure 3



S-1403(C) Composite Assembly
Figure 4

8807015



**S-1403(C) Pulse PC Board Assembly
Figure 5**

8807014


SERVICE BULLETIN

HARDWARE MODIFICATION	REFERENCE DOCUMENTATION	MODIFICATION CODE
ATC-1400 to ATC-1400A Conversion	1400A Upgrade Suppl	1
Front Panel Display Modification	ATC-1400A SB-5	2
Display System Replacement	ATC-1400A SB-6	3
R Modification	Ant Jack Opt Suppl	4
Non-Coherent SLS	ATC-1400A IB-1	5
Low Power Limit Modification (no longer available)	ATC-1400A IB-2	6
FIRMWARE MODIFICATION	REFERENCE DOCUMENTATION	MODIFICATION CODE
Version 1.0	None	Initial Release
Version 1.1	None	1
Version 1.2	None	2

ATC-1400 Modification Codes
Table 1

HARDWARE MODIFICATION	REFERENCE DOCUMENTATION	MODIFICATION CODE
ATC-1400 to ATC-1400A Conversion	1400A Upgrade Suppl	1
Front Panel Display Modification	ATC-1400A SB-5	2
Display System Replacement	ATC-1400A SB-6	3
R Modification	Ant Jack Opt Suppl	4
Non-Coherent SLS	ATC-1400A IB-1	5
Low Power Limit Modification	ATC-1400A IB-2	6
Line Switch Modification	ATC-1400A SB-8	7
FIRMWARE MODIFICATION	REFERENCE DOCUMENTATION	MODIFICATION CODE
Version 2.0	None	Initial Release
Version 2.11	None	1
Version 2.12	None	2
Version 2.2	None	3
Version 2.3	None	4
Version 2.4	None	5
Version 2.5	ATC-1400A SB-1	6
Version 2.6	None	7
Version 2.7	None	8
Version 2.8	None	9
Version 2.9	None	10
Version 4.00	None	11
Version 4.01	ATC-1400A SB-2	12
Version 4.02	ATC-1400A SB-3	13
Version 4.04	None	14
Version 4.06	ATC-1400A SB-4	15
Version 4.07	ATC-1400A SB-7	16
Version 4.08	ATC-1400A SB-9	17
Version 4.09	ATC-1400A SB-10	18

ATC-1400A Modification Codes
Table 2


IR SERVICE BULLETIN

HARDWARE MODIFICATION	REFERENCE DOCUMENTATION	MODIFICATION CODE
S-1403 to S-1403C Conversion	S-1403 IB-6	1
Line Fuse Replacement Modification	S-1403 SB-1	2
Front Panel Processor PC Board Modification	S-1403 SB-8	3
Pulse PC Board Delay Line Modification	S-1403 SB-10	4
Fall Time Discontinuity Modification	S-1403 SB-13	5
Low Power Limit Modification (no longer available)	S-1403 SB-14	6
Multi-Level Diversity Modification	S-1403 IB-5	7
S-1403 to S-1403DL Conversion	None	8
FIRMWARE MODIFICATION	REFERENCE DOCUMENTATION	MODIFICATION CODE
Version 1.0 (S-1403)	None	Initial Release
Version 1.1 (S-1403)	S-1403 SB-2	1
Version 1.2 (S-1403)	S-1403 SB-3	2
Version 1.3 (S-1403)	S-1403 SB-4	3
Version 1.4 (S-1403)	S-1403 SB-5	4
Version 1.5 (S-1403)	S-1403 SB-7	5
Version 1.6 (S-1403)	S-1403 SB-9	6
Version 2.0 (Pulse PC Board)	None	Initial Release
Version 2.1 (Pulse PC Board)	None	20
Version 2.2 (Pulse PC Board)	None	21
Version 2.3 (Pulse PC Board)	None	22
Version 2.4 (Pulse PC Board)	S-1403 SB-6	23
Version 3.01 DL Main Processor (MP)/1.03 BIOS	S-1403DL SB-1	24

S-1403 Modification Codes
Table 3


SERVICE BULLETIN

HARDWARE MODIFICATION	REFERENCE DOCUMENTATION	MODIFICATION CODE
S-1403 to S-1403C Conversion	S-1403 IB-6	1
Low Power Limit Modification (no longer available)	S-1403 SB-1	2
Multi-Level Diversity Modification	S-1403C SB-3	3
S-1403C to S-1403DL Conversion	S-1403C SB-3	4
FIRMWARE MODIFICATION	REFERENCE DOCUMENTATION	MODIFICATION CODE
Version 2.0 (Processor PC Board S-1403C)	None	Initial Release
Version 2.01 (Processor PC Board S-1403C)	None	1
Version 2.02 (Processor PC Board S-1403C)	None	2
Version 2.03 (Processor PC Board S-1403C)	None	3
Version 2.04 (Processor PC Board S-1403C)	None	4
Version 2.05 (Processor PC Board S-1403C)	None	5
Version 2.06 (Processor PC Board S-1403C)	S-1403C SB-2	6
Version 2.0 (Pulse PC Board S-1403C)	None	Initial Release
Version 2.01 (Pulse PC Board S-1403C)	None	20
Version 2.02 (Pulse PC Board S-1403C)	None	21
Version 3.00 (Pulse PC Board S-1403DL)	None	22
Version DL 3.01 Main Processor (MP), 1.03 BIOS	S-1403DL SB-1	23

S-1403C Modification Codes
Table 4

HARDWARE MODIFICATION	REFERENCE DOCUMENTATION	MODIFICATION CODE
Multi-Level Diversity Modification	None	1
FIRMWARE MODIFICATION	REFERENCE DOCUMENTATION	MODIFICATION CODE
Version DL 3.01 Main Processor (MP), 1.03 BIOS	S-1403DL SB-1	1

S-1403DL Modification Codes
Table 5