

THIS DRAWING INCLUDES INFORMATION PROPRIETARY TO CHADWICK-HELMUTH COMPANY, INC., AND SHALL NOT, WITHOUT PERMISSION OF CHADWICK-HELMUTH COMPANY, INC., BE USED OR DUPLICATED BY ANYONE OTHER THAN AGENCIES OF THE U.S. GOVERNMENT ACTING PURSUANT TO CONTRACTUAL OR STATUTORY AUTHORIZATION.

REVISIONS			
REV.	DESCRIPTION	DATE	APPROVED
C.	ADD NOTE 4. SEE E.O.#6310	04/08/92	
D.	ADD NOTE 5. E.O. #6581	02/18/93	PLR
E	REVISED NOTE 3. ECO 10963	07/21/03	PLR

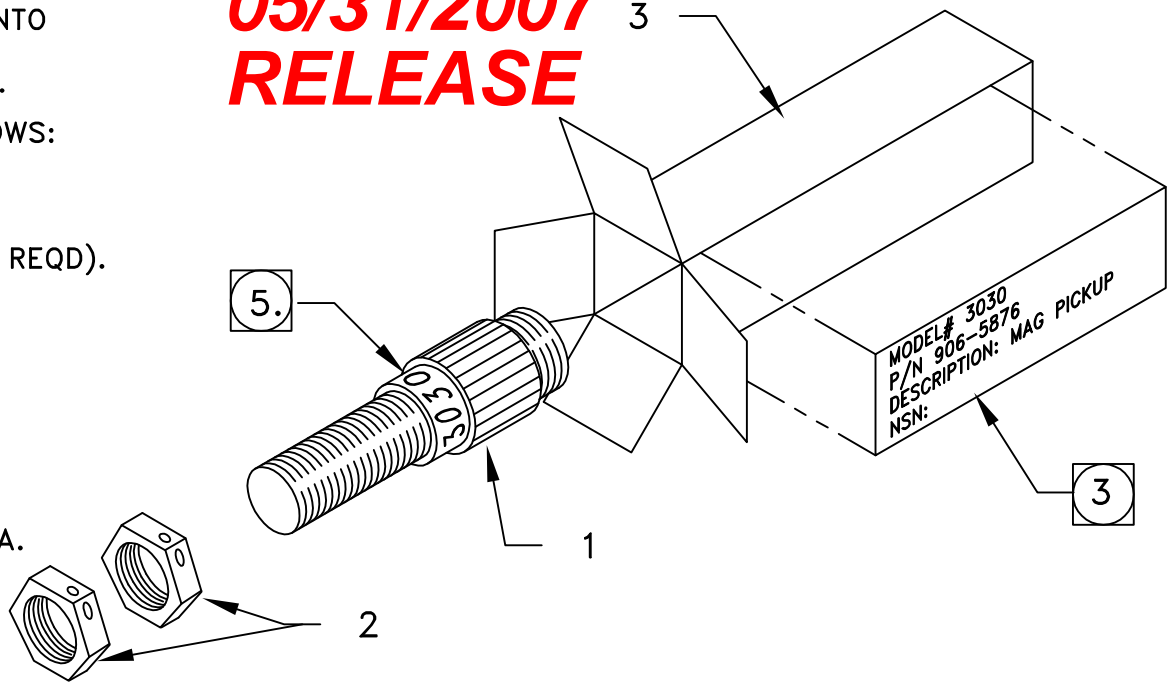
**PRINT  
05/31/2007  
RELEASE**

- NOTE: UNLESS OTHERWISE SPECIFIED
- ELECTRICAL CONTINUITY - INTERNAL RESISTANCE =  $1K\Omega \pm 20\%$
  - OUTPUT SIGNAL POLARITY- WHEN FERROUS METAL IS INTRODUCED INTO MAGNETIC FIELD, PIN B. WILL BE POSITIVE WITH RESPECT TO PIN A.

3. PART MARKING OF LABEL AS FOLLOWS:  
 MODEL# 3030  
 P/N 906-5876  
 DESCRIPTION: MAG PICKUP  
 NSN: (ADD PER CONTRACT IF REQD).

4. IF MAG PICKUP IS SUPPLIED WITH PLASTIC CONTAINER, REPACKAGE IN PLASTIC CONTAINER INSTEAD OF BOX. APPLY LABEL TO PLASTIC CONTAINER.

5. IF MAG PICKUP IS NOT MARKED, "3030", ELECTRO ETCH THIS AREA.



SEE SEPARATE PARTS LIST PL-5876

UNLESS OTHER WISE SPECIFIED DIMENSIONS ARE IN INCHES TOLERANCES ARE: FRACTIONAL DECIMALS ANGLES $\pm 1/32$ .xx= .015 $\pm 1/2^\circ$ .xxx=.005		CONTRACT NO.		CHADWICK-HELMUTH CO. INC. 4601 N ARDEN DR. EL MONTE CALIFORNIA			
MTR'L: <b>NOTED</b>		APPROVED BY: <i>D. Thomas</i>	DATE 1-29-81	TITLE <b>MAGNETIC PICKUP</b>			
FINISH <b>N/A</b>		CHECKED BY: F. BERNHARDT	11/12/99	SIZE <b>A</b>	FSCM NO. 99866	DRAWING NO. <b>5876</b>	REV. <b>E</b>
NEXT ASSY	USED ON	ENGINEER: PLR	11/18/99	SCALE <b>NONE</b>	SHEET <b>1 OF 1</b>		
APPLICATION		DO NOT SCALE DRAWING					